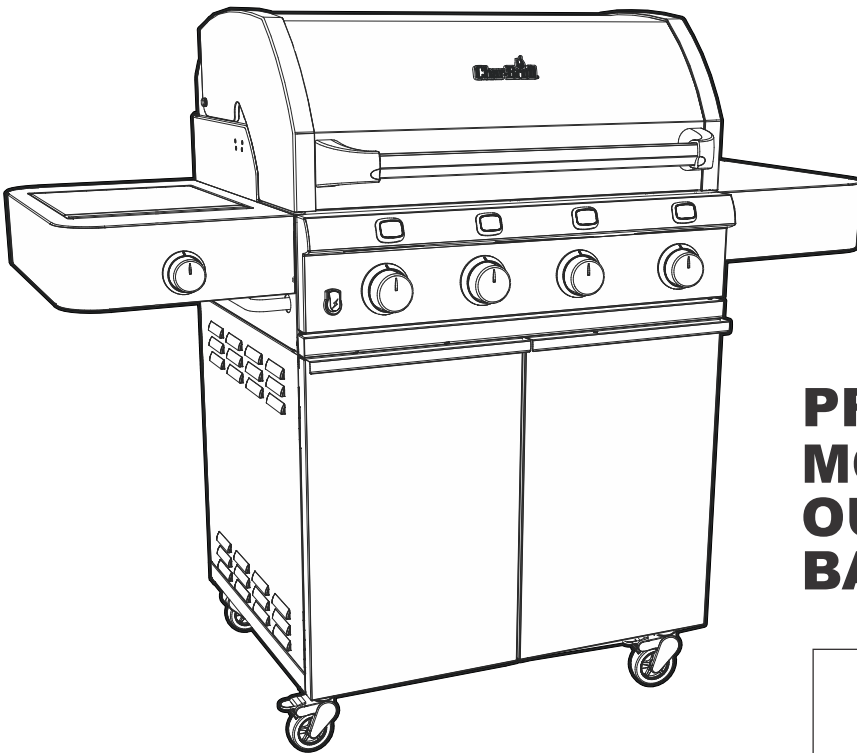


# Char-Broil®

# PLATINUM

## TRU-INFRARED™



## PRODUCT GUIDE

## MODEL R67CC1518

## OUTDOOR GAS

## BARBECUE

Place serial  
number label here

Serial Number

- Ⓞ(GB) Operating Instructions, 2-3
- Ⓞ(FR) Mode d'emploi, 4-5
- Ⓞ(ES) Instrucciones de funcionamiento, 6-7
- Ⓞ(DK) Brugsanvisning, 8-9



CE

2531 CS 0004

## INSTALLER/ASSEMBLER:

Leave this manual with consumer.

## CONSUMER:

Keep this manual for future reference.

## Questions:

If you have questions during assembly or use of this appliance contact your local dealer.

## DANGER

If you smell gas:

1. Shut off gas to the appliance.
2. Extinguish any open flames.
3. Open lid.
4. If odor continues, keep away from the appliance and immediately call your gas supplier or your fire department.

## WARNING

1. Do not store or use petrol or other flammable liquids in the vicinity of this or any other appliance.
2. A gas cylinder not connected for use shall not be stored in the vicinity of this or any other appliance.

## CAUTION

- Read and follow all safety statements, assembly instructions and use and care directions before attempting to assemble and cook.
- Some parts may contain sharp edges. Wearing protective gloves is recommended.

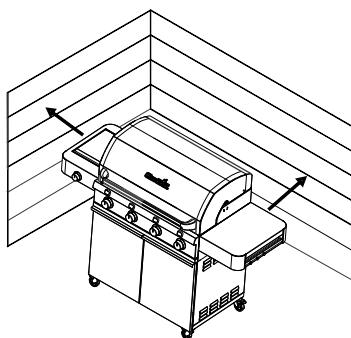
### Grease Fires

- Putting out grease fires by closing the lid is not possible. Grills are well ventilated for safety reasons.
- Do not use water on a grease fire, Personal injury may result. If a persistent grease fire develops, turn knobs and gas cylinder off.
- If appliance has not been regularly cleaned, a grease fire can occur that may damage the product. Pay close attention while preheating or burning off food residue to insure that a grease fire does not develop. Follow instructions on general appliance cleaning and cleaning the burner assembly to prevent grease fires.
- The best way to prevent grease fires is regular cleaning of the appliance.

## WARNING

### For Safe Use of Your appliance and to Avoid Serious Injury:

- USE OUTDOORS ONLY. NEVER USE INDOORS.
- Read the instructions before using the appliance. Always follow these instructions.
- Do not move the appliance during use.
- Accessible parts may be very hot. Keep young children away. Do not let children operate or play near appliance.
- Turn off the gas supply at the cylinder after use.
- This appliance must be kept away from flammable materials during use.
- Do not block holes in sides or back of appliance.
- Check burner flames regularly.
- Do not block venturi openings on burner.
- Use appliance only in well-ventilated space. NEVER use in enclosed space such as carport, garage, porch, covered patio, or under an overhead structure of any kind.
- Do not use charcoal or ceramic briquets in a gas appliance.
- DO NOT cover grates with aluminum foil or any other material. This will block burner ventilation and create a potentially dangerous condition resulting in property damage and/or personal injury.
- Use appliance at least 1 m from any wall or surface. Maintain 3 m clearance to objects that can catch fire or sources of ignition such as pilot lights on water heaters, live electrical appliances, etc.



- NEVER attempt to light burner with lid closed. A buildup of non-ignited gas inside a closed appliance is hazardous.
- Always turn off gas at cylinder and disconnect regulator before moving gas cylinder from specified operation position.
- Never operate appliance with gas cylinder out of correct position specified.
- Do not modify the appliance. Any modifications is strictly prohibited. Sealed parts are not to be manipulated by the user. Do not disassembly injectors.

## Safety Tips

- Before opening gas cylinder valve, check the regulator for tightness.
- When appliance is not in use, turn off all control knobs and gas.
- Use long-handled barbecue utensils and oven mitts to avoid burns and splatters. Use protective gloves when handling hot components.
- Maximum load for hot plate and side shelf is 4.5 Kg. Cooking vessel minimum dia 200mm and maximum dia. 260 mm.
- The grease tray (if equipped) must be inserted into appliance and emptied after each use. Do not remove grease tray until appliance has completely cooled.
- Be very careful when you open the lid, since hot steam may escape.
- Be very careful when children, the elderly, or pets are nearby..
- If you notice grease or other hot material dripping from appliance onto valve, hose or regulator, turn off gas supply at once. Determine the cause, correct it, then clean and inspect valve, hose, and regulator before continuing. Perform a leak test.
- Keep ventilation openings in cylinder enclosure (appliance cart) free and free of debris.
- Do not store objects or materials inside the appliance cart enclosure that would block the flow of combustion air to the underside of either the control panel or the firebox bowl.
- DO NOT disconnect or change gas container within 3m of an open flame or other ignition source.

### Cylinder Placement

Cylinder of 5 kg or less can be placed on the ground under the right side shelf or inside the appliance in the place provided. Larger cylinders are to be placed under the right side shelf only. Cylinders placed in the appliance shall have a maximum diameter of 305mm and maximum height of 400mm.

### Regulator Requirements

A regulator must be used with this appliance. Use only gas regulator supplied with your barbecue. If a regulator is not supplied then use only regulator certified according to EN16129 (Flow rate max. 1.5 kg/h) and approved for your country and gas specified in Technical Data.

### Hose Requirements

Use only approved hose which is certified to appropriate EN standard and does not exceed 1.5m length. For Finland, the hose length shall not exceed 1.2m.



Before each use, check to see if hoses are cut or worn. Make sure hose is not kinked. Make sure that when connected hose does not touch any warm surfaces. Replace damaged hoses before using appliance. Replace hose as required by national requirements.

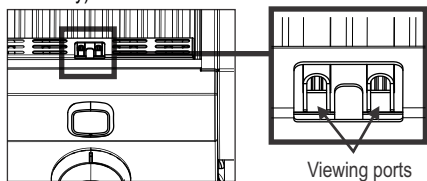
## TECHNICAL DATA

CHAR-BROIL, LLC			
Appliance Name	Gas Barbeque/Gas Grill		
Total Nominal	12,3 kW (895 g/h)		
Gas Category	I3+(28-30/37)	I3B/P(30)	
Model No.	R67CC1518		
Gas Type	Butane	Propane	Butane, Propane or their mixtures
Gas Pressure	28-30 mbar	37 mbar	28-30 mbar
Injector Size (Dia. Mm)	Grill: 0,74 x 4 pcs		Grill: 0,74 x 4 pcs
	Hotplate: 0,89		Hotplate: 0,89
Destination of countries	BE, FR, IT, GB, PT, ES, CZ, SK		NL, DK, FI, SE, CZ, SK, NO, IS, IT

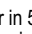
## Main Burner Ignitor Lighting

Do not lean over grill while lighting.

1. Turn all control knobs to .
2. Turn **ON** gas at LP cylinder.
3. **Open lid during lighting.**
4. To ignite, push and turn burner control knob to **HI**.
5. Push and hold **ELECTRONIC IGNITION**  button until the burner lights (use flame viewing ports to verify).




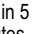
Viewing ports

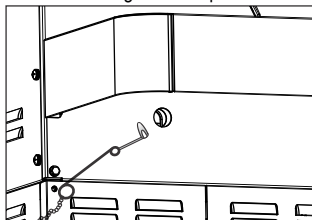
6. If ignition does **NOT** occur in 5 seconds, turn the control knobs , wait 5 minutes, and repeat the lighting procedure.
7. Ignite remaining burners by repeating steps 4 through 6 for each burner.
8. Once each burner has ignited, turn control knobs to desired setting.



## Main Burner Match-Lighting



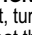
Do not lean over grill while lighting.

1. Turn all control knobs to .
2. **Open lid.** Turn **ON** gas at LP cylinder.
3. Place match into match holder (hanging from left side of cabinet). Light match; then light burner by placing match through the match light hole on left side of grill.
4. Push in and turn far left knob to the **HI** position. Once burner has ignited (use flame viewing ports to verify), turn control knob to desired setting.
5. If ignition does not occur in 5 seconds, turn the control knob to , wait 5 minutes, and repeat the lighting procedure.
6. Light adjacent burners in sequence by pushing control knobs in and turning to the **HI** position.




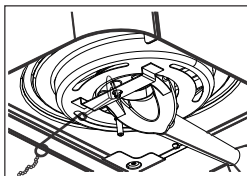
## Hot Plate Ignitor Lighting

Do not lean over grill while lighting.

1. Turn all control knobs to .
2. **Open hot plate lid.** Turn **ON** gas at LP cylinder.
3. Turn hot plate control knob to the **HI** position, push and hold **ELECTRONIC IGNITION**  button.
4. If hot plate does not light, turn control knob to , wait 5 minutes, and repeat the lighting procedure.


## Hot Plate Match-Lighting

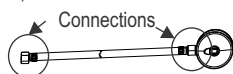
1. Turn all control knobs to .
2. **Open hot plate lid.** Turn **ON** gas at LP cylinder.
3. Place lit match through bottom burner pan opening at the rear of the burner.
4. Turn hot plate control knob to the **HI** position. Be sure burner lights and stays lit.



## Leak Testing Barb, Hose and Regulator

Leak test before first use, at least once a year and every time the cylinder is changed or disconnected.

1. Turn all appliance control knobs to .
2. Be sure regulator is tightly connected to gas cylinder.
3. Turn on Gas. If you hear a *rushing sound*, turn gas off immediately. There is a major leak at the connection. Correct before proceeding.
4. Brush soapy solution (mixture of half soap and half water) onto hose connections.

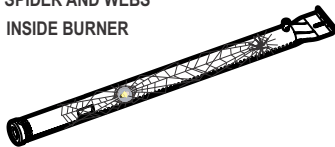


5. If *growing bubbles* appear, there is a leak. Turn off gas at cylinder immediately and check tightness of connections. If leak cannot be stopped do not try to repair. Call for replacement parts.
6. Always turn off gas at cylinder after performing leak test.



## SPIDER ALERT!

SPIDER AND WEBS  
INSIDE BURNER



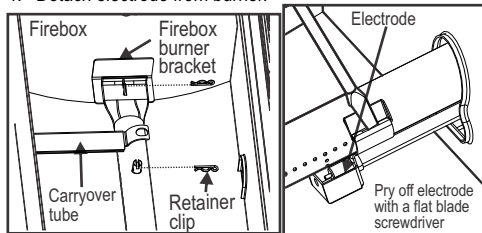
If your barbecue is getting hard to light or the flame is weak, check and clean the venturis and burners.

Spiders or small insects are known to create "flashback" problems by building nests and laying eggs in the barbecue's venturi or burner obstructing the flow of gas. The backed-up gas can ignite behind the control panel. This flashback can damage your barbecue and cause injury. To prevent flashbacks and ensure good performance, the burner and venturi tube assembly should be removed and cleaned whenever the barbecue has been idle for an extended period of time.

## Cleaning the Burner Assembly

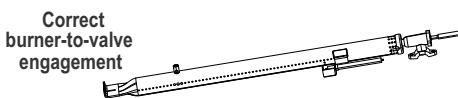
Follow these instructions to clean and/or replace parts of burner assembly or if you have trouble igniting grill.

1. Turn gas **OFF** at control knobs and LP cylinder.
2. Remove cooking grates and emitters.
3. Remove carryover tubes.
4. Detach electrode from burner.



5. Carefully lift each burner up and away from valve openings.  
We suggest three ways to clean the burner tubes. Use the one easiest for you.
  - A. Bend a stiff wire (a light weight coat hanger works well) into a small hook. Run the hook through each burner several times.
  - B. Use a narrow bottle brush with a flexible handle (do not use a brass wire brush), run the brush through each burner tube several times.
  - C. **Wear eye protection:** Use an air hose to force air into the burner tube and out the burner ports. Check each port to make sure air comes out each hole.
6. Wire brush entire outer surface of burner to remove food residue and dirt.
7. Clean any blocked ports with a stiff wire such as an open paper clip.
8. Check burner for damage, due to normal wear and corrosion some holes may become enlarged. If any large cracks or holes are found replace burner.

**VERY IMPORTANT: Burner tubes must re-engage valve openings. See illustration below.**



9. Attach electrode to burner.
10. Carefully replace burners.
11. Attach burners to brackets on firebox.
12. Reposition carryover tubes and attach to burners. Replace emitters and cooking grates.

## Storing Your appliance

- Clean cooking grates.
- Store in dry location.
- When gas cylinder is connected to appliance, store outdoors in a well-ventilated space and out of reach of children.
- Cover appliance if stored outdoors.
- Store appliance indoors **ONLY** if gas cylinder is turned off and disconnected, removed from appliance and stored outdoors.
- When removing appliance from storage check for burner obstructions.

## General appliance Cleaning

Clean appliance often, preferably after each cookout. If a bristle brush is used to clean any of the appliance cooking surfaces, ensure no loose bristles remain on cooking surfaces prior to grilling. It is not recommended to clean cooking surface while appliance is hot. Appliance should be cleaned at least once a year. Do not mistake brown or black accumulation of grease and smoke for paint. Interiors of gas grills are not painted at the factory (**and should never be painted**). Apply a strong solution of detergent and water or use a appliance cleaner with scrub brush on insides of appliance lid and bottom. Rinse and allow to completely air dry. **Do not apply caustic appliance/oven cleaner to painted surfaces.**

- **Plastic parts:** Wash with warm soapy water and wipe dry.
  - Do not use citrisol, abrasive cleaners, degreasers or a concentrated appliance cleaner on plastic parts. Damage to and failure of parts can result.

- **Porcelain surfaces:** Because of glass-like composition, most residue can be wiped away with baking soda/water solution or specially formulated cleaner. Use nonabrasive scouring powder for stubborn stains.

- **Painted surfaces:** Wash with mild detergent or nonabrasive cleaner and warm soapy water. Wipe dry with a soft nonabrasive cloth.

- **Stainless steel surfaces:** To maintain your appliance's high quality appearance, wash with mild detergent and warm soapy water and wipe dry with a soft cloth after each use. Baked-on grease deposits may require the use of an abrasive plastic cleaning pad. Use only in direction of brushed finish to avoid damage. Do not use abrasive pad on areas with graphics.

- **Cooking surfaces:** If a bristle brush is used to clean any of the appliance cooking surfaces, ensure no loose bristles remain on cooking surfaces prior to grilling. It is not recommended to clean cooking surfaces while appliance is hot.

## IF APPLIANCE FAILS TO LIGHT

Make sure gas is turned on at cylinder.  
Make sure there is gas in the cylinder.

Does the ignitor make a sparking Noise?  
If yes check for spark at burner.  
If no spark check for damaged or loose wires.  
If wires are OK check for cracked or broken electrode, replace if needed.  
If wire or electrodes are covered by cooking residue, clean electrode tip with alcohol wipe if needed.  
If needed replace wires.

If no sound check battery.  
Make sure battery is installed correctly.  
Check for loose wire connection at module and switch.

If ignitor continues to not work then use match.

## INSTALLER/ASSEMBLER :

Laissez ce manuel au consommateur.

## CONSOUMATEUR :

Conservez ce manuel aux fins de référence future.

### Questions :

Si vous avez des questions lors de l'assemblage ou l'utilisation de cet appareil contactez votre revendeur local.



### DANGER

Si vous sentez du gaz :

1. Coupez le gaz sur l'appareil.
2. Éteignez les flammes apparentes.
3. Ouvrez le couvercle.
4. Si l'odeur persiste, éloignez-vous de l'appareil et appelez immédiatement votre fournisseur de gaz ou les pompiers.



### AVERTISSEMENT

1. N'entreposez pas ni n'utilisez d'essence ou d'autres liquides inflammables à proximité de cet appareil ou de tout autre appareil.
2. Une bouteille de gaz non connectée pour une utilisation ne doit pas être stockée à proximité de cet appareil ou de tout autre appareil.



### PRÉCAUTION

- Lisez et suivez toutes les consignes de sécurité, les instructions de montage et d'utilisation ainsi que les directives d'entretien avant d'essayer d'assembler et d'effectuer une cuisson.
- Certaines pièces peuvent comporter des bords tranchants. Le port de gants de protection est recommandé.

### Feux de graisse

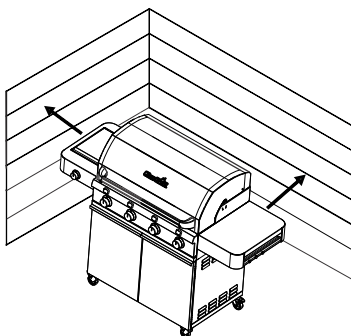
- L'extinction de feux de graisse en fermant le couvercle n'est pas possible. Les grilles sont bien ventilées pour des raisons de sécurité.
- N'utilisez pas d'eau sur un feu de graisse, des dommages corporels peuvent en résulter. Si un feu de graisse persistant se développe, fermez les boutons et la bouteille de gaz.
- Si l'appareil n'a pas été nettoyé régulièrement, un feu de graisse peut se produire pouvant endommager le produit. Portez une attention particulière lors du préchauffage ou du brûlage de résidus d'aliments pour éviter qu'un feu de graisse ne se développe. Suivez les instructions concernant le nettoyage général de l'appareil et le nettoyage de l'ensemble du brûleur pour éviter les feux de graisse.
- La meilleure façon pour éviter les feux de graisse consiste à procéder régulièrement au nettoyage de l'appareil.



### AVERTISSEMENT

#### Pour une utilisation sûre de votre appareil et pour éviter des blessures graves :

- **UTILISEZ UNIQUEMENT À L'EXTÉRIEUR. N'UTILISEZ JAMAIS EN INTÉRIEUR.**
- Lisez les instructions avant d'utiliser l'appareil. Suivez toujours ces instructions.
- Ne déplacez pas l'appareil en cours d'utilisation.
- Les éléments accessibles peuvent être très chauds. Éloignez les jeunes enfants. Ne laissez pas les enfants utiliser l'appareil ou jouer à proximité.
- Coupez l'alimentation de gaz de la bouteille après utilisation.
- Cet appareil doit être tenu à l'écart des matières inflammables pendant son utilisation.
- Ne bloquez pas les orifices sur les côtés ou à l'arrière de l'appareil.
- Vérifiez régulièrement les flammes du brûleur.
- N'obstruez pas les ouvertures d'injection du brûleur.
- Utilisez l'appareil uniquement dans un espace bien ventilé. NE JAMAIS l'utiliser dans un espace clos tel qu'un abri-garage, un garage, une véranda, une terrasse couverte ou sous une structure aérienne d'aucune sorte.
- N'utilisez pas de charbon de bois ou briquettes en céramique dans un appareil à gaz.
- NE couvrez PAS les grilles avec du papier d'aluminium ou tout autre matériau. Cela obstrue la ventilation du brûleur et crée une situation potentiellement dangereuse risquant d'entraîner des dommages matériels et / ou corporels.
- **Utilisez l'appareil à au moins 1 m d'un mur ou d'une surface.** Maintenez 3 m de distance avec des objets pouvant prendre feu ou des sources de combustion telles que veilleuses de chauffe-eaux, appareils électriques en fonction, etc.



- NE tentez JAMAIS tenter d'allumer le brûleur avec le couvercle fermé. Une accumulation de gaz non enflammé à l'intérieur d'un appareil fermé est dangereuse.
- Coupez toujours le gaz de la bouteille et débranchez le régulateur avant de déplacer la bouteille de gaz de sa position de fonctionnement spécifiée.
- N'utilisez jamais l'appareil avec une bouteille de gaz se trouvant hors de la position correcte spécifiée.
- Ne modifiez pas l'appareil. Toute modification est strictement interdite. Les parties scellées ne doivent pas être manipulées par l'utilisateur. Ne démontez pas les injecteurs.

## Conseils de sécurité

- Avant d'ouvrir la valve de la bouteille de gaz, vérifiez l'étanchéité du régulateur.
- Lorsque l'appareil n'est pas utilisé, fermez tous les boutons de contrôle et de gaz.
- Utilisez des ustensiles de cuisson à long manche et des gants à four pour éviter les brûlures et les projections. Utilisez des gants de protection lors de la manipulation des composants chauds.
- La charge maximale pour la plaque chauffante et la tablette latérale est de 4,5 kg. Le diamètre minimum d'un récipient de cuisson est de Ø 200 mm et au maximum de 260 mm.
- Le bac à graisse (si l'appareil en est doté) doit être inséré dans l'appareil et vidé après chaque utilisation. Ne retirez pas le bac à graisse tant que l'appareil n'est pas complètement refroidi.
- Soyez très prudent lorsque vous ouvrez le couvercle, car de la vapeur brûlante peut s'en échapper.
- Soyez très prudent lorsque des enfants, des personnes âgées ou des animaux se trouvent à proximité.
- Si vous remarquez de la graisse ou une autre matière chaude s'écoulant de l'appareil vers la valve, le tuyau ou le régulateur, coupez immédiatement l'alimentation de gaz. Déterminez la cause, corrigez-la, puis nettoyez et inspectez la valve, le tuyau et le régulateur avant de continuer. Effectuez un test de fuite.
- Maintenez les orifices de l'enceinte de la bouteille (chariot de l'appareil) libres et exempts de débris.
- Ne stockez pas d'objets ou de matériaux à l'intérieur du chariot de l'appareil qui pourraient obstruer le flux d'air de combustion en dessous du panneau de commande ou de la cuvette de la chambre de combustion.
- NE débranchez PAS ni NE modifiez le réservoir de gaz dans les 3 m d'une flamme nue ou d'une autre source de combustion.

### Mise en place de la bouteille

Les bouteilles de 5 kg, ou moins, peuvent être placées sur le sol, sous la tablette latérale droite ou à l'intérieur de l'appareil, à l'endroit prévu à cet effet. Les grosses bouteilles doivent être uniquement placées sous la tablette latérale droite. Les bouteilles placées à l'intérieur de l'appareil devront avoir un diamètre maximal de 305 mm et une hauteur maximale de 400 mm.

### Normes et exigences de régulateur

Un régulateur doit être utilisé avec cet appareil. N'utilisez que le régulateur de gaz fourni avec votre barbecue. Si un régulateur n'est pas fourni, utilisez alors uniquement un régulateur certifié conformément à la norme EN16129 (débit max. 1,5 kg / h) et approuvé pour votre pays et au gaz indiqué dans les données techniques.

### Exigences de tuyau

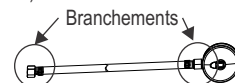
N'utilisez qu'un tuyau approuvé qui est certifié à la norme EN appropriée et ne dépassant pas 1,5 m de longueur. Pour la Finlande, la longueur du tuyau ne doit pas dépasser 1,2 m.

Avant chaque utilisation, vérifiez si les tuyaux sont coupés ou usés. Vérifiez que le tuyau n'est pas tordu. Assurez-vous que lorsque le tuyau est connecté qu'il ne soit pas en contact avec des surfaces chaudes. Remplacez les tuyaux endommagés avant d'utiliser l'appareil. Remplacez le tuyau tel que le requièrent les exigences nationales.

### Test d'étanchéité des raccord, du tuyau et du régulateur

**Essai d'étanchéité : au moins une fois par an et chaque fois que la bouteille est changée ou déconnectée.**

1. Tournez tous les boutons de contrôle de l'appareil sur .
2. Assurez-vous que le régulateur est branché fermement à la bouteille de gaz.
3. Ouvrez (ON) le gaz. Si vous entendez *un chuintement*, fermez immédiatement le gaz. Le branchement présente une fuite importante. **Corrigez avant de procéder.**
4. Passez une solution savonneuse (mélange d'eau et de savon à 50%) sur les raccord et branchements du tuyau.





5. Si des bulles *apparaissent*, il y a une fuite. Coupez le gaz de la bouteille immédiatement et vérifiez le serrage des connexions. Si la fuite ne peut pas être arrêtée, n'essayez pas de la réparer. Contactez votre revendeur pour obtenir des pièces de rechange.
6. Coupez toujours le gaz de la bouteille après avoir effectué un test de fuite.

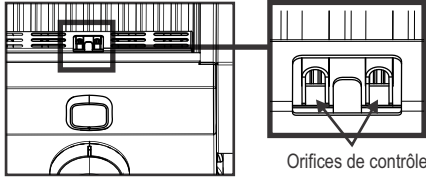
## DONNÉES TECHNIQUES

CHAR-BROIL, LLC			
Dénomination de l'appareil	Barbecue au gaz/Gril au gaz		
Total nominal	12,3 kW (895 g/h)		
Catégorie de gaz	I3+(28-30/37)	I3B/P(30)	
Modèle n°	R67CC1518		
Type de gaz	Butane	Propane	Butane, Propane ou leurs mélanges
Pression du gaz	28-30 mbar	37 mbar	28-30 mbar
Dimensions de l'injecteur (dia. mm)	Gril: 0,74 x 4 pièces		Gril: 0,74 x 4 pièces
	Plaque chauffante: 0,89		Plaque chauffante: 0,89
Destination de pays	BE, FR, IT, GB, PT, ES, CZ, SK		NL, DK, FI, SE, CZ, SK, NO, IS, IT


## Allumage des brûleurs principaux

Il ne faut pas se pencher au-dessus de l'appareil durant l'allumage.

1. Positionnez les valves de contrôle du brûleur sur .
2. Ouvrez l'alimentation en gaz sur le réservoir de GPL.
3. Laissez le couvercle ouvert durant l'allumage.
4. Pour allumer, poussez sur le bouton de réglage du brûleur et tournez-le à la position maximale (HI).
5. Poussez sur le bouton D'ALLUMAGE ÉLECTRONIQUE  et maintenez-le enfoncé jusqu'à ce que le brûleur s'allume (utilisez les orifices de contrôle de la flamme pour vérifier).



Orifices de contrôle



6. Si l'allumage ne se produit pas dans les 5 secondes, tournez les commandes du brûleur , attendez 5 minutes et répétez la procédure d'allumage.
7. Allumez les autres brûleurs en répétant les étapes 4 à 6 pour chaque brûleur.
8. Une fois le brûleur allumé, tournez les boutons de réglage à la position désirée.

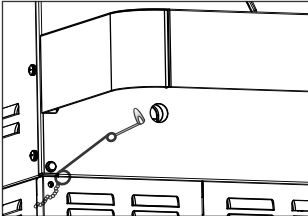


Fermez les commandes et la bouteille de gaz lorsque l'appareil n'est pas en cours d'utilisation.

## Allumage des brûleurs principaux à l'aide d'une allumette



Il ne faut pas se pencher au-dessus de l'appareil durant l'allumage.

1. Positionnez les valves de contrôle du brûleur sur .
2. Ouvrez le couvercle. Ouvrez l'alimentation en gaz sur le réservoir de GPL.
3. Placez l'allumette dans la porte-allumette (situé sur le côté gauche du chariot). Allumez l'allumette, puis allumez le brûleur en plaçant l'allumette dans l'orifice d'allumage du côté gauche du grill.
4. Poussez sur le bouton de réglage situé complètement à gauche et tournez-le à la position maximale (HI). Une fois le brûleur allumé (utilisez les orifices de contrôle de la flamme pour vérifier), tournez le bouton de réglage à la position désirée.
5. Si l'appareil ne s'allume pas en 5 secondes, fermez le robinet du brûleur , attendez 5 minutes, et procédez de nouveau à l'allumage.
6. Allumez successivement les brûleurs adjacents en appuyant sur les boutons de réglage et en les tournant à la position maximale (HI).




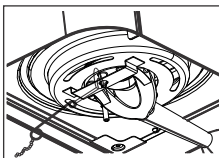
## Allumage de l'allumeur de la plaque chauffante

Il ne faut pas se pencher au-dessus de l'appareil durant l'allumage.

1. Positionnez les valves de contrôle du brûleur sur .
2. Ouvrez le couvercle de la plaque chauffante. Ouvrez l'alimentation en gaz sur le réservoir de GPL.
3. Tournez le bouton de réglage de la plaque chauffante à la position maximale (HI), puis poussez le bouton D'ALLUMAGE ÉLECTRONIQUE  et maintenez-le enfoncé.
4. Si l'appareil ne s'allume pas en 5 secondes, fermez le robinet du brûleur, attendez 5 minutes, et procédez de nouveau à l'allumage.

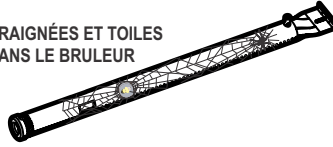
## Allumage avec une allumette de la plaque chauffante

1. Positionnez les valves de contrôle du brûleur sur .
2. Ouvrez le couvercle de la plaque chauffante. Ouvrez l'alimentation en gaz sur le réservoir de GPL.
3. Stik en tænd tændstik gennem bund brændergrydens åbning på siden af brænderen.
4. Tournez le bouton de réglage de la plaque chauffante à la position maximale (HI). Assurez-vous que le brûleur s'allume et reste allumé.



## ALERTE AUX ARAIGNÉES !

ARAIGNÉES ET TOILES DANS LE BRÛLEUR



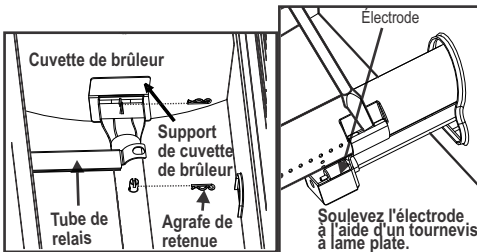
Si votre barbecue devient difficile à allumer ou si la flamme est faible, vérifiez et nettoyez les ouvertures d'injection et les brûleurs.

Les araignées ou de petits insectes sont connus pour créer des problèmes de "retour de flamme" en construisant des nids et en pondant des œufs dans les ouvertures d'injection ou dans le brûleur du barbecue en obstruant le flux de gaz. Le gaz retenu peut s'enflammer derrière le panneau de commandes. Ce retour de flamme peut endommager votre barbecue et provoquer des blessures. Pour éviter les retours de flamme et garantir de bonnes performances, le brûleur et l'ensemble du tube des ouvertures d'injection doivent être retirés et nettoyés chaque fois que le barbecue a été inutilisé pendant une longue période.

## Nettoyage de l'assemblage du brûleur

Suivez ces directives pour nettoyer ou remplacer des pièces du brûleur ou si vous éprouvez de la difficulté à allumer le grill.

1. Fermez les boutons de réglage et la source d'alimentation en gaz.
2. Retirez les grilles de cuisson et les émetteurs.
3. Déposez les attaches de retenue et les tubes de relais de l'arrière des brûleurs.
4. Utilisez un tournevis à lame plate pour soulever et dégager l'électrode de chaque brûleur. L'électrode doit rester dans le foyer branché au fil d'allumage.



5. Soulevez délicatement chaque brûleur et dégagéz-les des orifices des valves.  
Nous suggérons trois façons de nettoyer les tubes du brûleur. Utilisez celle qui vous semble la plus facile.  
(A) Faites un petit crochet à l'aide d'un fil raide (un cintre léger fait très bien l'affaire). Passez le crochet à plusieurs reprises dans chaque tube de brûleur.

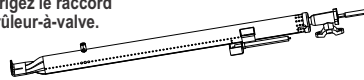


- (B) En utilisant un goupillon étroit à manche souple (ne vous servez pas d'une brosse métallique en laiton), passez plusieurs fois dans chaque tube de brûleur.
- (C) Portez des lunettes de sécurité : servez-vous d'un tuyau à air pour forcer un jet d'air dans le tube du brûleur qui sortira par les orifices du brûleur. Examinez chaque orifice pour vous assurer que l'air sort par chacun des orifices.

6. Passez une brosse métallique sur toute la surface extérieure du brûleur pour enlever les résidus de nourriture et les saletés.
7. Nettoyez tout orifice bloqué à l'aide d'un fil raide tel qu'un trombone déplié.
8. Vérifiez si les brûleurs ne sont pas endommagés. En raison de l'usure normale et de la corrosion, certains orifices peuvent s'être agrandis. Si vous notez de larges fissures ou de grands trous, remplacez le brûleur.

**TRÈS IMPORTANT** : Les tubes de brûleur doivent être de nouveau insérés dans les ouvertures de la valve.

Corrigez le raccord brûleur-à-valve.



9. Fixez l'électrode au brûleur. Assurez-vous que le fil d'allumage est branché.
10. Remplacez soigneusement les brûleurs.
11. Fixez de nouveau les brûleurs aux supports à l'intérieur de la cuvette de la cuvette de brûleur.
12. Repositionnez les tubes de relais et fixez-les aux brûleurs. Remplacez les émetteurs et les grilles de cuisson.

## Stockage de votre appareil

- Nettoyez les grilles de cuisson.
- Entrez dans un endroit sec.
- Lorsqu'une bouteille de gaz est connectée à l'appareil, stockez-le à l'extérieur dans un espace bien aéré et hors de portée des enfants.
- Recouvrez l'appareil s'il est stocké à l'extérieur.
- Stockez l'appareil à l'intérieur SEULEMENT si la bouteille de gaz est fermée, déconnectée et retirée de l'appareil et entreposée à l'extérieur.
- Lorsque vous retirez l'appareil du stockage, vérifiez la présence d'éventuelles obstructions du brûleur.

## Nettoyage général de l'appareil

- Nettoyez souvent l'appareil, de préférence après chaque barbecue. Si une brosse est utilisée pour nettoyer les surfaces de cuisson de l'appareil, assurez-vous qu'aucun poil ne reste sur les surfaces de cuisson avant de faire une grillade. Il est déconseillé de nettoyer la surface de cuisson lorsque l'appareil est chaud. L'appareil doit être nettoyé au moins une fois par an.
- Ne confondez pas l'accumulation du marron ou du noir provenant des graisses et de la fumée à de la peinture. Les parties intérieures des barbecues à gaz ne sont pas peintes à l'usine (et ne doivent jamais être peintes). Appliquez une solution concentrée de détergent et d'eau ou utilisez un nettoyeur pour appareil avec une brosse à récurer sur les surfaces internes et inférieures du couvercle de l'appareil. Rincez et laissez sécher complètement à l'air. N'appliquez pas de produits caustiques pour appareil/four sur les surfaces peintes.
- Parties en plastique : lavez à l'eau chaude savonneuse et essuyez pour sécher.
- N'utilisez pas de citrisol, ni de nettoyeurs abrasifs, dégraissants ou nettoyeur concentré d'appareil sur les pièces en plastique. Les pièces risquent d'être endommagées et défilantes.
- Surfaces en porcelaine : en raison de la composition ressemblant à du verre, la plupart des résidus peuvent être nettoyés à l'aide d'une solution de bicarbonate de soude / eau ou d'un nettoyeur avec une formule spéciale. Utilisez une poudre à récurer non abrasive pour les taches tenaces.
- Surfaces peintes : lavez avec un détergent doux ou un nettoyeur non abrasif et de l'eau chaude savonneuse. Séchez avec tissu doux non abrasif.
- Surfaces en acier inoxydable : pour conserver l'apparence de haute qualité de votre appareil, lavez avec un détergent doux et de l'eau chaude savonneuse, et essuyez avec un chiffon doux après chaque utilisation. Les dépôts de graisses brûlées peuvent nécessiter l'utilisation d'un tampon de nettoyage en plastique abrasif. Utilisez uniquement dans le sens de la finition brossée pour éviter tout dommage. N'utilisez pas de tampon abrasif sur les zones avec des graphiques.
- Surfaces de cuisson : si une brosse est utilisée pour nettoyer les surfaces de cuisson de l'appareil, assurez-vous qu'aucun poil ne reste sur les surfaces de cuisson avant de faire une grillade. Il est déconseillé de nettoyer les surfaces de cuisson lorsque l'appareil est chaud.

## SI L'APPAREIL NE S'ALLUME PAS

Vérifiez que le gaz est activé sur la bouteille. Vérifiez qu'il y a du gaz dans la bouteille.

Est-ce que l'allumeur fait un bruit d'étincelles ?  
Si oui, vérifiez l'étincelle sur le brûleur.  
S'il n'y a aucune étincelle, vérifiez si les fils sont endommagés ou desserrés.  
Si les fils sont corrects, vérifiez si l'électrode est fissurée ou brisée, remplacez-la si nécessaire.  
Si les fils ou les électrodes sont recouverts par des résidus de cuisson, nettoyez l'extrémité de l'électrode avec un tissu imbibé d'alcool, si nécessaire.  
Si nécessaire, remplacez les fils.

S'il n'y a aucun son, vérifiez la pile.  
Assurez-vous que la pile est correctement installée.  
Vérifiez si la connexion du fil est lâche sur le module et le commutateur.

Si l'allumeur ne fonctionne toujours pas, utilisez une allumette.

## INSTALADOR:

Entregue este manual al cliente.

## CLIENTE:

Conserve este manual para consultas futuras.

### Preguntas:

Si tiene alguna pregunta durante el ensamble o el uso de esta unidad, contacte a su distribuidor local.



## PELIGRO

Si siente olor a gas:

1. Corte el paso de gas a la unidad.
2. Apague toda llama al descubierto.
3. Abra la tapa.
4. Si el olor persiste, aléjese de la unidad y llame inmediatamente a su compañía de gas o a los bomberos.



## ADVERTENCIA

1. No almacene o use gasolina o cualquier otro líquido inflamable cerca de esta unidad o de cualquier otro dispositivo.
2. Los cilindros de gas que no estén conectados para su uso no deben guardarse cerca de esta unidad o de cualquier otro dispositivo.



## PRECAUCIÓN

- Lea y siga todas las indicaciones de seguridad, instrucciones para el ensamble, e instrucciones de uso y cuidado antes de intentar ensamblar la unidad y comenzar a cocinar.
- Algunas partes pueden tener bordes cortantes. Se recomienda usar guantes protectores.

### Incendios provocados por grasa

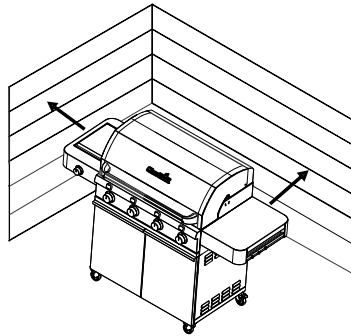
- No se pueden apagar los incendios provocados por grasa cerrando la tapa. Por razones de seguridad, las parrillas se encuentran muy bien ventiladas.
- No use agua para intentar apagar incendios provocados por grasa, ya que esto puede causar lesiones físicas. Si se produce un incendio persistente provocado por grasa, cierre las perillas y el cilindro de gas.
- Si no se limpia la unidad regularmente, podría producirse un incendio provocado por grasa que dañaría la unidad. Mientras precalienta o quema residuos de alimentos, preste especial atención para asegurarse de que no se produzca un incendio provocado por grasa. Para evitar incendios provocados por grasa, siga las instrucciones de limpieza general de la unidad y limpieza del ensamble del quemador.
- La mejor forma para prevenir incendios provocados por grasa es la limpieza regular de la unidad.



## ADVERTENCIA

Para un uso seguro de la unidad y para evitar lesiones graves:

- **USE LA UNIDAD SÓLO AL AIRE LIBRE. NUNCA USE LA UNIDAD BAJO TECHO.**
- Lea las instrucciones antes de usar la unidad. Siga siempre estas instrucciones.
- No mueva la unidad durante su uso.
- Las partes accesibles pueden estar muy calientes. Mantenga la unidad fuera del alcance de los niños. No le permita a los niños operar o jugar cerca de la unidad.
- Corte el suministro de gas del cilindro luego de su uso.
- Mantenga cualquier material inflamable lejos de la unidad durante su uso.
- No obstruya los orificios de los lados y la parte trasera de la unidad.
- Controle con regularidad las llamas del quemador.
- No obstruya las aberturas de entrada del difusor en el quemador.
- Use la unidad sólo en espacios bien ventilados. NUNCA use la unidad en espacios cerrados, tales como cobertizos para vehículos, garajes, porches, patios cubiertos o bajo cualquier tipo de estructura elevada.
- No use carbón o ladrillos cerámicos en una unidad a gas.
- **NO** cubra las rejillas con papel aluminio o cualquier otro material. Esto obstruirá la ventilación del quemador y podría producirse una condición peligrosa, resultando en daños materiales y/o lesiones físicas.
- **Use la unidad por lo menos a 1 metro de distancia de cualquier pared o superficie.** Mantenga a los objetos inflamables y las fuentes de ignición (pilotos de calentadores de agua, dispositivos eléctricos encendidos en modo de suspensión, etc.) a una distancia de al menos 3 metros de la unidad.



- NUNCA intente encender el quemador con la tapa cerrada. La acumulación de gas no encendido dentro de una unidad cerrada representa un serio peligro.
- Corte siempre el suministro de gas del cilindro y desconecte el regulador antes de mover el cilindro de gas de la posición prevista para su operación.
- Nunca opere la unidad con el cilindro de gas fuera de la posición prevista correcta.
- No modifique la unidad. Queda estrictamente prohibida cualquier modificación a la unidad. El usuario no debe manipular las partes selladas. No desarme los inyectores.

## Consejos de seguridad

- Antes de abrir la válvula del cilindro de gas, verifique el ajuste del regulador.
- Cuando la unidad no esté en uso, cierre todas las perillas y corte el gas.
- Use utensilios de barbaquea de mango largo y guantes térmicos para evitar quemaduras y salpicaduras. Use guantes protectores para manipular componentes calientes.
- La carga máxima que soporta la placa calefactora y el estante lateral es de 4,5 kg. El diámetro mínimo de bandeja de cocción es de 200 mm. y el máximo es de 260 mm.
- Debe introducirse la bandeja de grasa (si está incluida) dentro de la unidad, y vaciarse después de cada uso. No retire la bandeja de grasa hasta que la unidad se enfríe por completo.
- Abra la tapa con extremo cuidado, ya que puede haber escapes de vapores calientes.
- Tenga mucho cuidado cuando se encuentren niños, personas mayores o mascotas cerca de la unidad.
- Si nota grasa o cualquier otro material caliente sobre la válvula, manguera o regulador, cierre inmediatamente el suministro de gas. Determine la causa, corrijala, y luego limpie e inspeccione la válvula, manguera y regulador antes de continuar. Verifique que no haya fugas.
- Mantenga las aberturas de ventilación en la caja del cilindro (carro de la unidad) libres de obstrucciones y residuos.
- No coloque objetos o materiales que puedan bloquear el flujo del aire hacia la parte inferior del panel de control y de la caja de la cámara de combustión.
- NO desconecte o cambie el contenedor de gas a menos de 3 metros de distancia de una llama encendida o cualquier otra fuente de ignición.

### Colocación del cilindro

Puede colocarse un cilindro de 5 kg. de peso o de peso inferior en el suelo debajo del estante del lado derecho o dentro de la unidad en el lugar previsto. Los cilindros mayores podrán colocarse únicamente debajo del estante del lado derecho. Los cilindros colocados en la unidad tendrán un diámetro de 305 mm como mínimo y una altura máxima de 400 mm.

### Requerimientos del regulador

Esta unidad requiere el uso de un regulador. Use únicamente el regulador de gas incluido en su parrilla. Si no se incluye un regulador, entonces use únicamente un regulador certificado, de conformidad con la norma EN16129 (caudal máx. de 1,5 kg/h) y aprobado para usar en su país, según las especificaciones de gas que se muestran en la hoja de datos técnicos.

### Requerimientos de la manguera

Use sólo una manguera aprobada que esté certificada según las normas EN correspondientes y que no exceda una longitud de 1,5 m. En Finlandia, la longitud de la manguera no debe exceder 1,2 m.

Verifique que las mangueras no tengan cortes o estén dañadas antes de cada uso. Asegúrese de que la manguera no esté torcida. Asegúrese de que la manguera no toque ninguna superficie caliente cuando esté conectada. Reemplace las mangueras dañadas antes de usar la unidad. Reemplace las mangueras de acuerdo a los requerimientos nacionales.

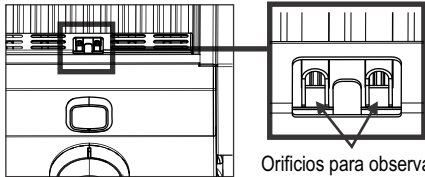
## INFORMACIÓN TÉCNICA

CHAR-BROIL, LLC			
Nombre de la unidad	Parrilla a gas/Asador a gas		
Total nominal	12,3 kW (895 g/h)		
Categoría de gas	I3+(28-30/37)	I3B/P(30)	
No. de modelo	R67CC1518		
Tipo de gas	Butano	Propano	Butano, Propano o su mezcla
Presión de gas	28-30 mbar	37 mbar	28-30 mbar

## Encendido del quemador principal

**NO se apoye en el asador mientras lo enciende.**

1. Gire las válvulas de control del quemador a gas a
2. **ABRA** el gas en el tanque de gas LP.
3. **Abra la tapa durante el encendido.**
4. Para encender, presione y gire la perilla de control a la posición **HI**.
5. Presione y mantenga así el botón "ELECTRONIC IGNITION" (Encendido electrónico) hasta que el quemador se encienda (use los orificios de observación de la flama para verificar).



Orificios para observar

6. Si **NO** enciende en 5 segundos, gire los controles del quemador , espere 5 minutos y repita el procedimiento de encendido.
7. Encienda los quemadores restantes repitiendo los pasos 4 a 6 para cada quemador.
8. Una vez que el quemador se encienda, gire las perillas de control hasta el punto que desee.

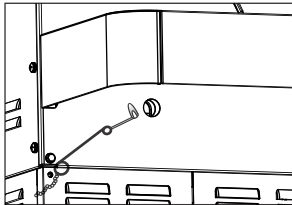


**Cierre los controles y el suministro de gas del cilindro cuando no se encuentren en uso.**

## Encendido del quemador principal con cerillos

**NO se apoye en el asador mientras lo enciende.**

1. Gire las válvulas de control del quemador a gas a .
2. **Abra la tapa.** **ABRA** el gas en el tanque de gas LP.
3. Coloque el cerillo en el portacerillos (que cuelga del lado izquierdo del gabinete). Encienda el cerillo, y luego encienda el quemador al colocar el cerillo a través del orificio para cerillos en el lado izquierdo del asador.
4. Presione y gire la perilla del extremo izquierdo a la posición **HI**. Una vez que se encienda el quemador (verifique a través de los orificios para ver la flama), gire la perilla de control a la posición que desee.
5. Si no se enciende en cinco segundos, gire las perillas de control a la posición (**APAGADO**), espere cinco minutos y repita el procedimiento de encendido.
6. Encienda los quemadores adyacentes en secuencia al presionar las perillas de control y girarlas a la posición **HI**.



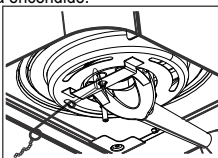
## Encendido de la placa calefactora

**NO se apoye en el asador mientras lo enciende.**

1. Gire las válvulas de control del quemador a gas a .
2. **Abra la tapa del la placa calefactora.** **ABRA** el gas en el tanque de gas LP.
3. Gire la perilla de control del la placa calefactora a la posición **HI**, presione y mantenga así el botón "ELECTRONIC IGNITION" .
4. Si no enciende el la placa calefactora, gire la perilla de control a la posición "OFF", espere cinco minutos y repita el procedimiento de encendido.

## Encendido de la placa calefactora con cerillos

1. Gire las válvulas de control del quemador a gas a .
2. **Abra la tapa del la placa calefactora.** **ABRA** el gas en el tanque de gas LP.
3. Coloque un cerillo encendido a través del apertura de la charola inferior en la parte posterior del quemador.
4. Gire la perilla de control del la placa calefactora a la posición **HI**. Asegúrese de que el quemador encienda y permanezca encendido.



Verificación de fugas en manguera púa, manguera y regulador

Verifique que no haya fugas antes del primer uso y al menos una vez por año y cada vez que se cambie o desconecte el cilindro.

1. Gire todas las perillas de control de la unidad hacia .
2. Asegúrese de que el regulador se encuentre conectado y bien ajustado al cilindro de gas.
3. Abra el suministro de gas. Si escucha un sonido de ráfaga, corte el suministro de gas inmediatamente. Hay una fuga importante en la conexión. **Repárela antes de continuar.**

4. Pase un cepillo con agua jabonosa (una mezcla de mitad jabón y mitad agua) en manguera púa y sobre las conexiones de las mangueras.
5. Si se forman burbujas, hay una fuga. Corte inmediatamente el suministro de gas y verifique que las conexiones estén bien ajustadas. Si no puede detener la fuga, no intente repararla. Llámennos para ordenar una pieza de repuesto.
6. Corte siempre el suministro de gas del cilindro luego de verificar si existe alguna fuga.

Conexiones



## ¡ALERTA DE ARAÑAS!

**ARAÑAS Y TELARAÑAS DENTRO DEL QUEMADOR**



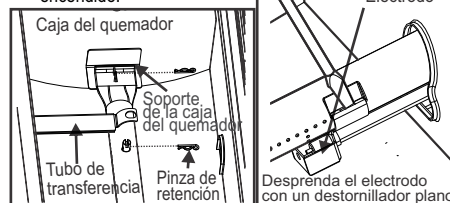
Si se dificulta encender su parrilla, o la llama es débil, verifique y limpie los difusores y quemadores.

Las arañas e insectos pequeños suelen producir "fogonazos" al construir sus nidos y poner huevos en el difusor o quemador de la parrilla, obstruyendo el flujo de gas. El gas acumulado puede encenderse detrás del panel de control. Este fogonazo puede dañar su parrilla y causarle lesiones. Para evitar los fogonazos y asegurar un buen rendimiento, los ensamblados del quemador y el tubo difusor deben quitarse y limpiarse cuando la parrilla esté sin uso durante un período de tiempo prolongado.

## Limpieza del conjunto del quemador

Siga estas instrucciones para limpiar o reemplazar piezas del conjunto del quemador o si tiene problemas para encender el asador.

1. **Cierre el gas en las perillas de control y en el suministro de gas.**
2. Retire las parrillas y emisores de cocción.
3. Retire las pinzas de retención y tubos de transferencia de la parte posterior de los quemadores.
4. Use un destornillador plano para desprender el electrodo de cada quemador. El electrodo debe permanecer en la caja del quemador conectado con el alambre de encendido.



5. Levante con cuidado cada quemador y aléjelo de las aberturas de la válvula. Sugerimos tres formas de limpiar los tubos del quemador. Utilice la que sea más fácil para usted.  
(A) Doble un alambre rígido para hacer un gancho pequeño (un gancho de ropa ligera funciona bien). Pase el gancho varias veces a través del tubo del quemador.

- (B) Use un cepillo estrecho para botellas con un mango flexible (no use un cepillo de latón); pase el cepillo a través de cada tubo de quemador varias veces.
- (C) Use protección para los ojos. Use una manguera de aire para forzar aire dentro del tubo del quemador y fuera de los orificios del quemador. Revise cada orificio para asegurarse de que el aire salga por cada uno de ellos.
6. Cepille toda la superficie externa del quemador para eliminar los residuos de comida y suciedad.
7. Limpie los orificios que estén obstruidos con un alambre rígido, por ejemplo con un clip para papel extendido.
8. Revise si hay daño en el quemador; algunos orificios podrían haberse hecho más grandes debido al desgaste normal y a la corrosión. Si hay grietas u orificios grandes, reemplace el quemador.

**NOTA IMPORTANTE:** Los tubos de los quemadores deben acoplarse con la abertura de la válvula.

**Acoplamiento correcto del quemador con la válvula**



9. Vuelva a colocar el electrodo en el quemador. Asegúrese de que el alambre de encendido esté conectado.
10. Vuelva a colocar los quemadores con cuidado.
11. Vuelva a fijar los quemadores en los soportes dentro de la caja de los quemadores.
12. Coloque los tubos de transferencia y conéctelos a los quemadores.
13. Vuelva a colocar los emisores y parrillas de cocción.

## Cómo guardar su unidad

- Limpie las rejillas de cocción.
- Guarde en un lugar seco.
- Cuando el cilindro de gas esté conectado a la unidad, guárdelo al aire libre en un espacio bien ventilado y fuera del alcance de los niños.
- Cubra la unidad si se guarda al aire libre.
- Guarde la unidad bajo techo SÓLO si el cilindro de gas se encuentra cerrado y desconectado
- Cuando retire la unidad para guardarla, verifique que no hayan obstrucciones en el quemador.

## Limpieza general de la unidad

- Limpie la unidad con frecuencia, preferentemente luego de cada uso. Si utiliza un cepillo de cerdas suaves para limpiar cualquiera de las superficies de cocción de la unidad, asegúrese que no queden cerdas en las superficies antes de usarla. No se recomienda limpiar la unidad cuando se encuentra caliente. La unidad debe limpiarse por lo menos una vez al año.
- No confunda por pintura a la acumulación de grasa de color marrón o negro y humo. Los interiores de las parrillas a gas no vienen pintadas de fábrica (**y no deben pintarse nunca**). Use una solución de detergente y agua o un limpiador especial, y una escobilla para limpiar las partes interiores de la tapa y la parte inferior de la unidad. Enjuague y deje secar por completo. **No use un limpiador de hornos cáustico en las superficies pintadas.**

- **Partes de plástico:** Lave con agua tibia y jabón, y seque con un trapo.
- No use Citrisol, limpiadores abrasivos, desengrasantes o limpiadores concentrados para limpiar las partes de plástico. Estas partes pueden dañarse o fallar.

- **Superficies de porcelana:** Por su composición vítrea, la mayoría de los residuos pueden quitarse con una solución de bicarbonato de sodio y agua, o con limpiadores de formulación especial. Use un polvo desengrasante no abrasivo para las manchas difíciles.

- **Superficies pintadas:** Lave con un detergente suave o limpiadores no abrasivos, y agua tibia y jabón. Seque con un trapo suave y no abrasivo.

- **Superficies de acero inoxidable:** Para mantener la apariencia de alta calidad de su unidad, lávela con un detergente suave y agua tibia y jabón, y séquela con un trapo suave luego de cada uso. Para remover la grasa acumulada luego de varias cocciones, puede necesitar el uso de una almohadilla limpiadora abrasiva de plástico. Use sólo en la dirección del acabado para evitar daños. No use almohadillas abrasivas en áreas que contienen imágenes.

- **Superficies de cocción:** Si utiliza un cepillo de cerdas suaves para limpiar cualquiera de las superficies de cocción de la unidad, asegúrese de que no queden cerdas en las superficies antes de usarla. No se recomienda limpiar las superficies de cocción cuando la unidad se encuentra caliente.

## SI LA UNIDAD NO ENCIENDE

Asegúrese de que el suministro de gas del cilindro se encuentra abierto.

Asegúrese de que el cilindro tenga gas.

¿El encendido hace un ruido chispeante?

Si es así, verifique que el quemador haga chispa.

Si no hay chispa, verifique que no haya cables dañados o sueltos.

Si los cables no están dañados, verifique que el electrodo no se encuentre quebrado o dañado, y reemplácelo de ser necesario.

Si los cables o electrodos se encuentran tapados por residuos de cocción, limpie las puntas del electrodo con un trapo con alcohol de ser necesario.

Si es necesario, reemplace los cables.

Si no hay sonido, verifique la batería.

Asegúrese de que la batería esté bien instalada.

Verifique que no haya conexiones de cables sueltos en el modulo y el interruptor.

Si aún no enciende, use un fósforo.

## INSTALLATØR/SAMLER

Opbevar denne manual hos forbrugeren.

## FORBRUGER:

Behold denne manual til fremtidig brug.

### Spørgsmål:

Hvis du har spørgsmål i forbindelse med samling eller anvendelse af dette apparat, så kontakt din lokale forhandler.



### FARE

Hvis du kan lugte gas:

1. Luk for gas tilførslen til apparatet.
2. Sluk for evt. åben ild.
3. Åben låget.
4. Hvis lugten bliver ved, så hold dig væk fra apparatet og ring straks til gasforsyningen eller brandvæsenet.



### ADVARSEL

1. Opbevar ikke benzin eller andre brændbare væsker i nærheden af dette eller andre apparater.
2. En gas cylinder som ikke er i brug må ikke opbevares i nærheden af dette eller andre apparater.



### ADVARSEL

- Læs og følg alle sikkerhedsanvisninger, samle-anvisninger og brugs- og vedligeholdelsesvejledninger før forsøg på samling og madlavning.
- Nogle dele kan have skarpe hjørner. Brug af beskyttelseshandsker anbefales.

### Fedtbrande

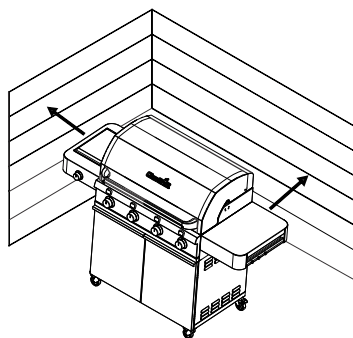
- Slukning af fedtbrande ved at lægge låget på er ikke muligt. Grillen er ventileret af sikkerhedsgrunde.
- Hæld ikke vand på en fedtbrand, det kan give personskader. Hvis der udvikles en vedvarende fedtbrand, sluk på knappen og for gas cylinderen.
- Hvis apparatet ikke er blevet rengjort regelmæssigt, kan der opstå en fedtbrand, som kan ødelægge produktet. Vær meget opmærksom ved forvarmning eller afbrænding af fastbrændte madrester, så det sikres at der ikke opstår en fedtbrand. Følg instruktionerne om almindelig rengøring af apparatet og rensning af brændersamlingen for at forebygge fedtbrande.
- Den bedste forebyggelse af fedtbrande er regelmæssig rengøring af apparatet.



### ADVARSEL

For sikker brug af dit apparat og for at undgå alvorlige ulykker:

- **MÅ KUN BRUGES UDENDØRS. MÅ ALDRIG BRUGES INDENDØRS**
- Læs anvisningerne før anvendelse af apparatet. Følg altid disse anvisninger.
- Flyt ikke på apparatet under brug.
- Tilgængelige dele kan være meget varme. Hold små børn væk. Lad ikke børn bruge apparatet eller lege i nærheden.
- Sluk for gas tilførslen på cylinderen efter brug.
- Dette apparat skal holdes væk fra brændbare materialer under brug.
- Bloker ikke hullerne i apparatets sider eller bag på.
- Tjek brænderflammerne regelmæssigt.
- Bloker ikke for brænderens venturi åbninger.
- Brug kun apparatet et godt ventileret sted. Brug det ALDRIG et lukket sted, som en carport, garage, veranda, overdækket terrasse, eller under en overdækning i det hele taget.
- Brug ikke trækul eller keramiske briketter i et gasapparat.
- Dæk IKKE risten med aluminiumsfolie eller andet materiale. Det vil blokere for brændventilationen og skabe en potentielt farlig tilstand, som kan give skader på bygninger og/eller mennesker.
- Brug apparatet mindst 1 m fra vægge og andre overflader. Hold en afstand på 3 m fra genstande, som kan gå i brand eller antændingskilder som gasflammer i vandvarmere, elektriske apparater etc.



- Prøv ALDRIG at tænde brænderen med lukket låg. En ophobning af ikke antændt gas i et lukket apparat er farligt.
- Sluk altid for gassen på cylinderen og afbryd regulatoren før flytning af gas cylinderen fra den specificerede driftsposition.
- Anvend aldrig apparatet med gas cylinderen udenfor den angivne korrekte position.
- Byg ikke apparatet om. Alle ombygninger er strengt forbudt. Lukkede dele må ikke håndteres af brugeren. Lad være med at skille injektorerne ad.

## Sikkerhedstips

- Før åbning af gas cylinder ventilen, undersøg regulatorens tæthed.
- Når apparatet ikke er i brug, så sluk for alle kontrolknapper og gas.
- Brug grilludstyr med lange håndtag og ovenhandsker for at undgå forbrændinger og sprøjt. Brug beskyttelseshandsker ved håndtering af varme dele.
- Maksimum belastning for varmeplade og sidehylde er 4.5 Kg. Kogekar minimum diameter 200mm og maksimum diameter 260mm.
- Fedtbakken (hvis den findes) skal sættes ind i apparatet og tømme efter hver brug. Fjern ikke fedtbakken før apparatet er helt koldt.
- Vær meget forsigtig når du åbner låget, da der kan slippe varm damp ud.
- Vær meget forsigtig hvis der er børn, ældre eller kæledyr i nærheden.
- Hvis du ser fedt eller andet varmt materiale dryppe fra apparatet ned på ventil, slange eller regulator, sluk straks for gas tilførslen. Find ud af årsagen, ret den og rens og undersøg ventilen, slangen og regulatoren for du fortsætter. Udfør en lækagetest.
- Hold ventilationsåbningerne i cylinder afskærmningen (vognen) åbne og fri for nedfaldne madrester.
- Opbevar ikke materialer inde i vognens afskærmning, som kan blokere for forbrændingsluftens strømning til undersiden af enten den kontrolpanelet eller flammeboks skålen.
- Afbryd IKKE eller skift gasbeholder indenfor 3 m afstand til åben ild eller en anden antændelseskilde.

### Cylinder placering

Beholdere på 5 kg eller derunder kan anbringes på jorden under hylde i højre side eller inden i apparatet på det dertil indrettede sted. Større beholdere kan kun anbringes under hylde i højre side. Beholdere, som anbringes i apparatet må maksimalt være 305 mm i diameter og maksimalt 400 mm høje.

### Krav til regulator

Der skal bruges en regulator til dette apparat. Brug kun den gas regulator som leveres sammen med grillen. Hvis der ikke leveres en regulator, så brug kun en certificeret regulator efter EN16129 (strømnings rate max. 1,5kg/t) godkendt i dit land og gas specificeret i de tekniske data.

### Krav til slange

Brug kun en godkendt slange, som er certificeret efter EN standard og den må ikke være længere end 1,5m. I Finland må længden ikke være over 1,2m

Undersøg før hver brug om slangerne er slidte eller hullede. Slangerne må ikke være snoede. Vær sikker på at forbundne slanger ikke rører varme overflader. Udskift ødelagte slanger for brug af apparatet. Udskift slangerne som krævet i national lovgivning.



## TEKNISKE DATA

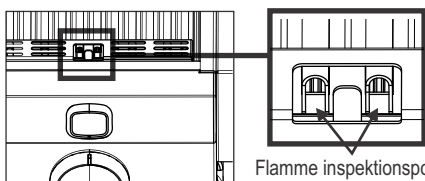
CHAR-BROIL, LLC			
Apparatets navn	Gas Barbeque/Gas Grill		
Total nominal	12,3 kW (895 g/h)		
Gas kategori	I3+(28-30/37)	I3B/P(30)	
Model nr.	R67CC1518		
Gas type	Butan	Propan	Butan, Propan eller en blanding
Gastryk	28-30 mbar	37 mbar	28-30 mbar
Injektor størrelse (dia. mm)	Gril: 0,74 x 4 pièces		Gril: 0,74 x 4 stk.
	Varmeplade: 0,89		Varmeplade: 0,89




## Antændelse af tænderen

### s Læn dig ikke hen over apparatet ved antændelse.

1. Sæt gasbrænder kontrolventiler til .
2. Tryk ON gas på cylinder.
3. **Hav åbent låg under antænding.**
4. For at antænde, tænd for antændings brænderknappen **HI**.
5. Tryk og hold **ELEKTRISK ANTÆNDELSES**  knappen nede indtil brænderen lyser (brug flamme inspektionsportene for at være helt sikker).





Flamme inspektionsportene

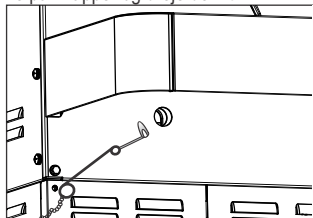
6. Hvis antændingen ikke sker i løbet af 5 sekunder, drej på brænderkontrollerne , vent 5 minutter og gentag proceduren.
7. For at tænde resten af brænderne, gentag trin 4 og 5. Hvis tænderen ikke virker, følg instruktionerne for tænding med tændstik.
8. Så snart hver brænder er antændt, drej kontrolknapperne til den ønskede indstilling.



## Tænding med tændstik



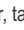
### s Læn dig ikke hen over apparatet ved antændelse.

1. Sæt gasbrænder kontrolventiler til .
2. **Åben låget.** Tænd for gas på cylinder.
3. Sæt tændstikken i tændstikholderen, tænd den og anbring den ved siden af brænder portene. (holderen kan være på venstre side).
4. Tryk ind og slå brænderknappen til, så brænderen tændes **HI**. Vær sikker på at brænderen er tændt og forbliver tændt.
5. Hvis antændingen ikke sker i løbet af 5 sekunder, drej på brænderkontrollerne , vent 5 minutter og gentag proceduren.
6. Tænd de tilstødende brændere efterhånden ved at trykke på knapper og dreje dem til **HI**.




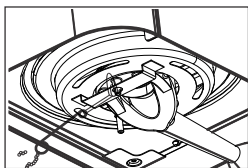
## Varmeplade antænding

### s Læn dig ikke hen over apparatet ved antændelse.

1. Sæt gasbrænder kontrolventiler til .
2. **Åben varmeplade låget.** Tænd for gas på cylinder.
3. Tryk og hold **ELEKTRISK ANTÆNDELSES**  knappen nede indtil brænderen lyser (brug flamme inspektionsportene for at være helt sikker).
4. Sæt varmepladen **IKKE**  tænd på knappen, vent 5 minutter, og gentag antændingsproceduren.

## Tænding af varmeplade med tændstik.

1. Sæt gasbrænder kontrolventiler til .
2. **Åben varmeplade låget.** Tænd for gas på cylinder.
3. Place lit match through bottom burner pan opening at the rear of the burner.
4. Tænd for varmeplade knappen **HI** for at være sikker på brænderen er tændt hele tiden.



## Lækagetest af slangestuds, slanger og regulator

### Lækage test før første brug mindst en gang om året og hver gang cylinderen skiftes eller afbrydes.

1. Tænd for alle apparatets kontrolknapper .
2. Vær sikker på at regulatoren er tæt forbundet med gas cylinderen.

3. Tænd for gassen. Hvis du hører en susende lyd, sluk straks for gassen. Der er en stor lækage i forbindelsen. **Skaden skal udbedres før du fortsætter.**
4. Børst en sæbeopløsning (en blanding af halvt sæbe og halvt vand) slangestuds og på slangeforbindelserne.
5. Hvis der opstår bobler er der et hul. Sluk straks for gassen på cylinderen og tjek forbindelsernes tæthed. Hvis lækagen ikke kan stoppes, prøv ikke at reparere. Ring efter reservedele.
6. Sluk altid for gassen på cylinderen efter en udført lækage test.



## PAS PÅ EDDERKOPPER!

### EDDERKOPPER OG SPIND INDE I BRÆNDEREN



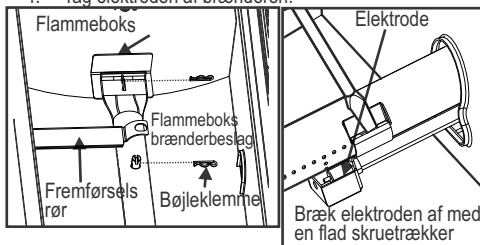
Hvis din grill er blevet svær at tænde eller hvis flammen er svag, tjek og rens venurterne og brænderne.

Edderkopper eller små insekter kan skabe "flashback" problemer ved redbygning og øglægning i grillens venturi eller brænder, og hæmmer dermed gas strømmen. Den tilbageholdte gas kan antændes bag kontrolpanelet. Denne flashback kan skade din grill og medføre ulykker. For at forebygge flashbacks og sikre god funktion, bør brænder og venturi slange samlingen tages af og renses, når grillen ikke er blevet brugt i længere tid.

## Rensning af brændersamlingen

Følg disse anvisninger om rensning og/eller udskiftning af dele i brændersamlingen, hvis du har problemer med at tænde apparatet.

1. Sluk for gassen på kontrolknapper og cylinder.
2. Fjern madlavningsriste og emittere.
3. Fjern fremførselsrør.
4. Tag elektroden af brænderen.



5. Løft forsigtigt hver brænder op og væk fra ventilåbningerne.

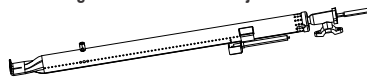
Vi har tre forslag til rensning af brænder rør. Brug dem du synes ef nemmest.

(A) Lav en lille krog af et stift stykke ståltråd (en renserbøjle er god). Kør kroen gennem hvert brænder rør flere gange.

(B) Brug en tynd flaskerenser med blødt håndtag (brug ikke en messing trådbørste) kørbørsten gennem hvert brænder rør flere gange.

(C) Brug øjenbeskyttelse: Brug en slange med luft til at presse luft ind i brænder rør og ud af brænder porte. Tjek hver port for at sikre, at der kommer luft ud af alle huller.

6. Brug en stålbørste på hele brænderens overflade for at fjerne madrester og snavs.
7. Rens evt. blokerede porte med et stykke ståltråd, som fx en oprullet papirklips.
8. Tjek brænderen for skader, almindeligt slid og korrosion kan forstørre nogle huller. Hvis der er store revner og huller, så skal brænderen udskiftes. **MEGET VIGTIGT: Brænder rør skal passe til ventilåbninger** Se illustration til højre.



## Korriger brænder-til-ventil forbindelsen

9. Forbind elektroden til brænderen
10. Sæt forsigtigt brænderne på plads.
11. Forbind brænderne til beslagene på flammeboksen.
12. Sæt fremførselsrørene på plads og forbind dem med brænderne. Sæt emittere og madlavningsriste på plads.

## Opbevaring af dit apparat

- Rens ristene.
- Opbevares et tørt sted.
- Når gas cylinderen er forbundet med apparatet skal det opbevares udendørs et godt ventileret sted udenfor børns rækkevidde.
- Dæk apparatet til hvis det opbevares udendørs.
- Apparatet må **KUN** opbevares indendørs, hvis gas cylinderen er slukket og koblet fra, fjernet fra apparatet og opbevares udendørs.
- Når apparatet tages frem fra opbevaring, tjek for brænder tilstopninger.

## Generelt om rengøring af apparatet

- Rens apparatet ofte, helst efter hver gang det har været brugt. Hvis der bruges børste til rengøring af apparatets madlavningsoverflader, så vær sikker på, at der ikke er børste hår på madlavningsoverflader, når der grilles. Det anbefales ikke at rengøre madlavningsoverflader når apparatet er varmt. Hele apparatet bør rengøres mindst en gang om året.
- Man skal ikke forveksle brune eller sorte fedtansamlinger og røg med maling. Indersiden af en gas grill er ikke malet fra fabrikken (**og må aldrig males**). Brug en kraftig blanding af et rengøringsmiddel og vand, eller et rengøringsredskab med børste på indersiden af apparatets låg og bund. Skyl og lad lufttørre fuldstændigt. **Brug ikke kaustisk soda eller ovenrens på malede overflader.**

- **Plasticdele:** Vask med varmt sæbevand og tør med klud.

- Brug ikke fedtopløsende, slibende midler, affedningsmidler eller koncentrerede rengøringsmidler på plasticdele. Det kan resultere i skader og fejl på dele.

- **Porcelænsoverflader:** På grund af de glaslignende egenskaber, kan det meste snavs tørres væk med en soda/vand opløsning eller et specialrengøringsmiddel. Brug ikke-slibende skurepulver til genstridige pletter.

- **Malede overflader:** Vask med et mildt og ikke-slibende rengøringsmiddel og varmt sæbevand. Tør med en blød ikke ridsende klud.

- **Overflader af rustfrit stål:** For at opretholde dit apparats signaler om høj kvalitet, vask det med et mildt rengøringsmiddel og varmt sæbevand og tør det med en blød klud efter hver brug. Fastbrændte fedtlag kan nødvendiggøre brug af en slibende plastic rensepude. Brug den kun i en retning for at undgå skader. Brug ikke slibepuder på områder med grafik.

- **Madlavningsoverflader:** Hvis der bruges børste til rengøring af apparatets madlavningsoverflader, så vær sikker på, at der ikke er børste hår på madlavningsoverflader, når der grilles. Det anbefales ikke at rengøre madlavningsoverflader når apparatet er varmt.

## HVIS APPARATET IKKE KAN TÆNDES

Undersøg om gassen er sat til på cylinderen. Undersøg om der er gas i cylinderen

Kommer der lyd af gnister fra tænderen?

Hvis ja, se om der er gnister ved brænderen.

Hvis der ikke er gnister, undersøg om der er ødelagte eller løse ledninger.

Hvis ledningerne er OK, undersøg om der er revnede eller ødelagte elektroder, udskift hvis der er behov for det.

Hvis ledning eller elektroder er fyldt med madrester, rens elektrodespidsen med en klud dyppet i sprit.

Hvis det er nødvendigt, udskift ledninger.

Hvis der ikke er nogen lyd, tjek batteriet.

Vær sikker på, at batteriet er installeret korrekt.

Undersøg om der er løse ledningsforbindelser på modul og kontakt.

Hvis tænderen stadig ikke virker, så brug en tændstik.

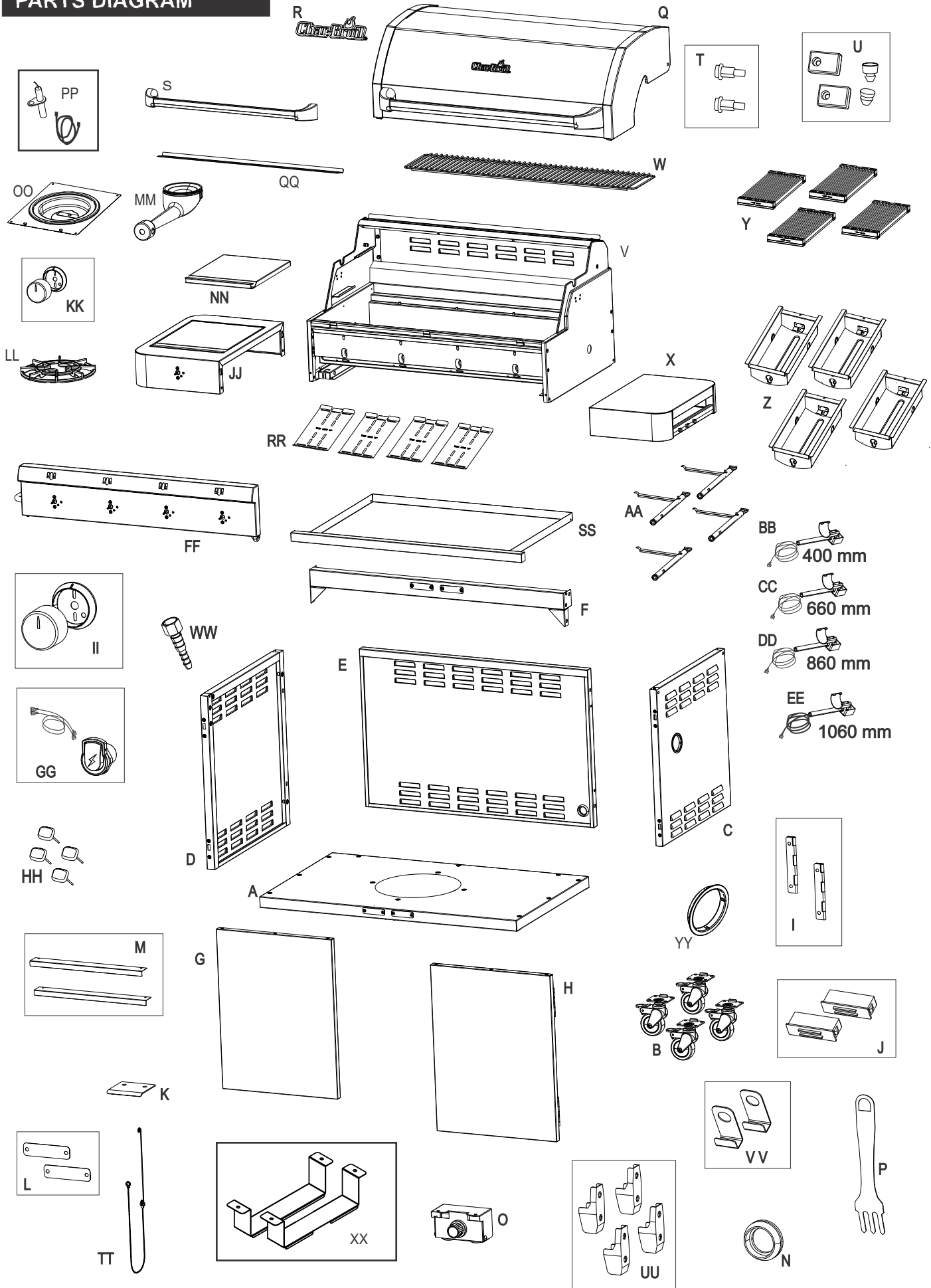
## PARTS LIST

Key	Qty	Description
A	1	KIT, Bottom Shelf Assembly
B	4	Caster, Locking
C	1	Right Cart Panel
D	1	Left Cart Panel
E	1	Rear Cart Panel
F	1	Front Door Brace
G	1	KIT, Left Door w/ Hinges
H	1	KIT, Right Door w/ Hinges
I	2	KIT, Door Hinges (SET of 2)
J	2	KIT, Door Magnets (SET of 2)
K	1	Door Closer Bracket
L	2	KIT, Striker Plates (SET of 2)
M	1	KIT, Handle for Door (SET of 2)
N	1	Grommet, for Hose Hole
O	1	KIT, Ignition Module
P	1	Grate Cleaning Tool
Q	1	KIT, Lid Assembly
R	1	KIT, Logo Plate
S	1	KIT, Lid Handle
T	1	KIT, Lid Shoulder Bolt (SET of 2)
U	1	KIT, Lid Stop, Silicone, (SET of 4)
V	1	KIT, Firebox Assembly
W	1	Warming Rack
X	1	KIT, Right Shelf Assembly w/ Tool Holders
Y	4	KIT, Cooking Grate with Emitter
Z	4	KIT, Burner Box
AA	4	KIT, Burner w/ Carryover
BB	1	Electrode w/ Ignition Wire, 400 mm
CC	1	Electrode w/ Ignition Wire, 660 mm
DD	1	Electrode w/ Ignition Wire, 860 mm
EE	1	Electrode w/ Ignition Wire, 1060 mm
FF	1	KIT, Control Console, w/ Valve Assembly and Switch
GG	1	KIT, Ignition Switch Module w/ Wires
HH	4	Temperature Gauge, UFC, w/ Clip
II	4	KIT, Control Knob/ Bezel
JJ	1	KIT, Hot Plate Shelf Assembly
KK	1	KIT, Control Knob/ Bezel, for Hot Plate
LL	1	Hot Plate Grate
MM	1	KIT, Burner for Hot Plate
NN	1	KIT, Hot Plate Lid
OO	1	Hot Plate Pan with Lid Stop
PP	1	KIT, Electrode for Hot Plate with Wire
QQ	1	KIT, Wind Deflector
RR	4	KIT, Firebox Heat Shield
SS	1	Grease Tray Assembly
TT	1	Match Holder w/ Chain
UU	1	KIT, Firebox Mounting Posts (SET of 4)
VV	1	KIT, Rotisserie Rod Brackets (SET of 2)
WW	1	Universal Barb
XX	1	KIT, Tank Brackets
YY	1	Grommet, for Side Panel

### NOT PICTURED

...	1	Hardware Pack
...	1	Assembly Guide, Europe
...	1	Product Guide, Europe

# PARTS DIAGRAM



# Char-Broil®

## PLATINUM

### TRU-INFRARED™

(GB) NOTE: This information is a guide only. Items included in your BBQ specification may differ depending on region or specific dealer specification.

(FR) NOTE: Ces renseignements sont donnés à titre indicatif. Il est possible que les articles inclus dans les spécifications de votre barbecue diffèrent selon la région ou les caractéristiques stipulées par le concessionnaire.

(ES) NOTA: Esta información es una guía únicamente. Es posible que las indicaciones incluidas en las especificaciones de su Asador sean diferentes según la región o las especificaciones específicas del representante.

(DK) NB.: Denne information er kun vejledende. Specifikationer kan variere efter ønske fra forhandler, eller i henhold til nationale regler.

All specifications are subject to change without notice.

Toutes les caractéristiques sont susceptibles d'être modifiées sans préavis.

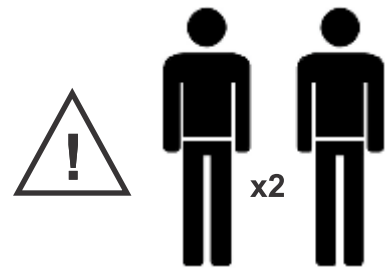
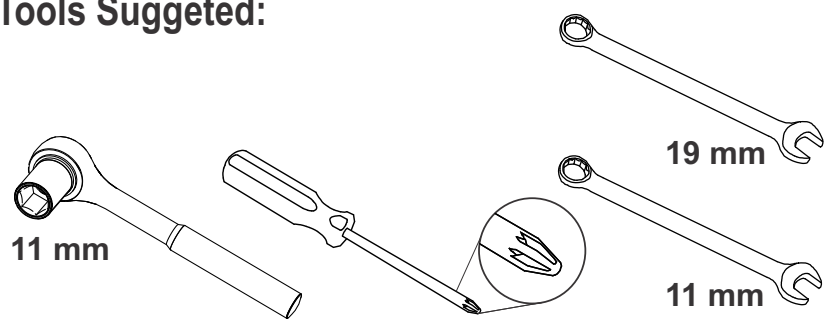
Todas las especificaciones están sujetas a cambios sin previo aviso.

Alle specifikationer kan ændres foruden varsel.

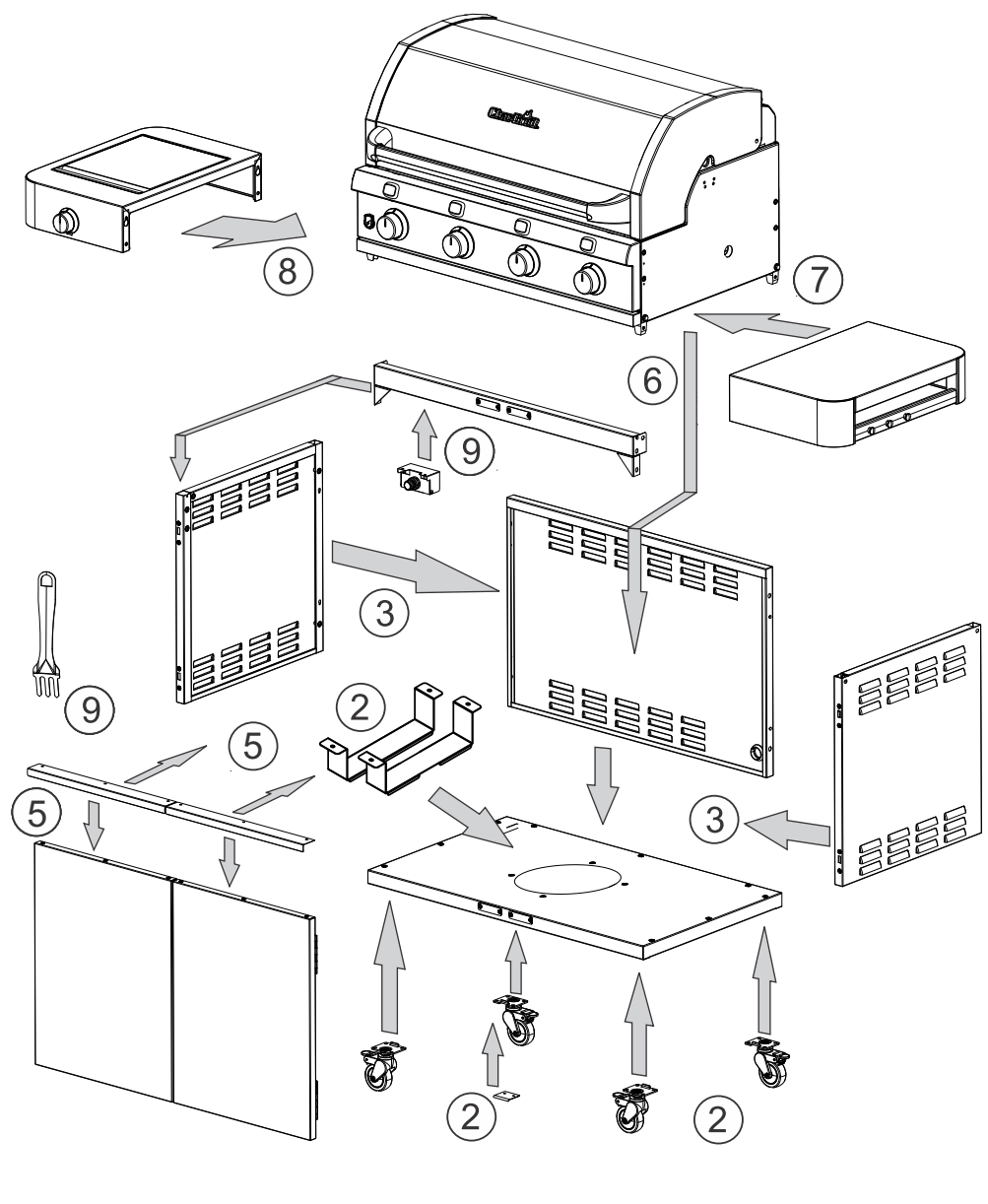
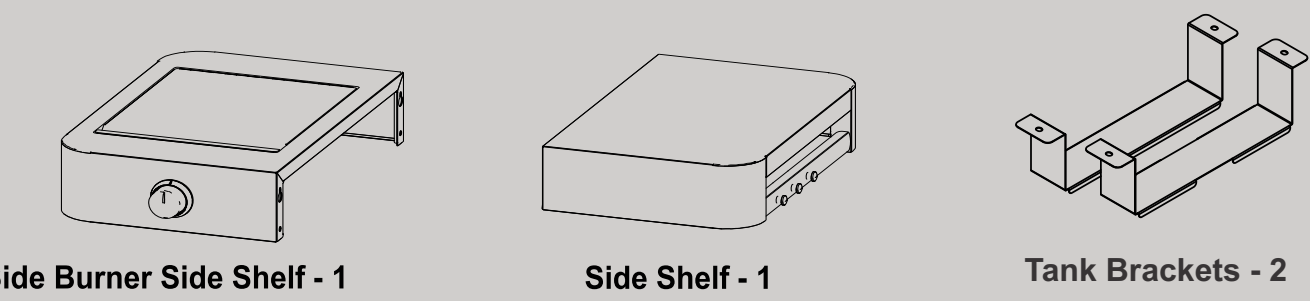
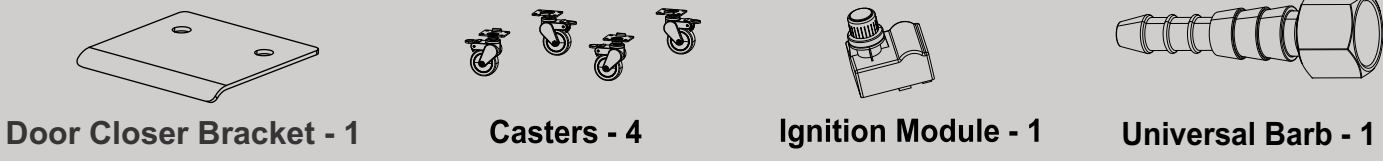
Kriswell A/S  
Knudstrupvej 10C  
DK- 8870 Langaa  
Tel. +45 8773 6 00  
info@dancook.dk

© 2017 Char-Broil, LLC  
Columbus, GA 31902, U.S.A.  
charbroil.com | charbroil.de

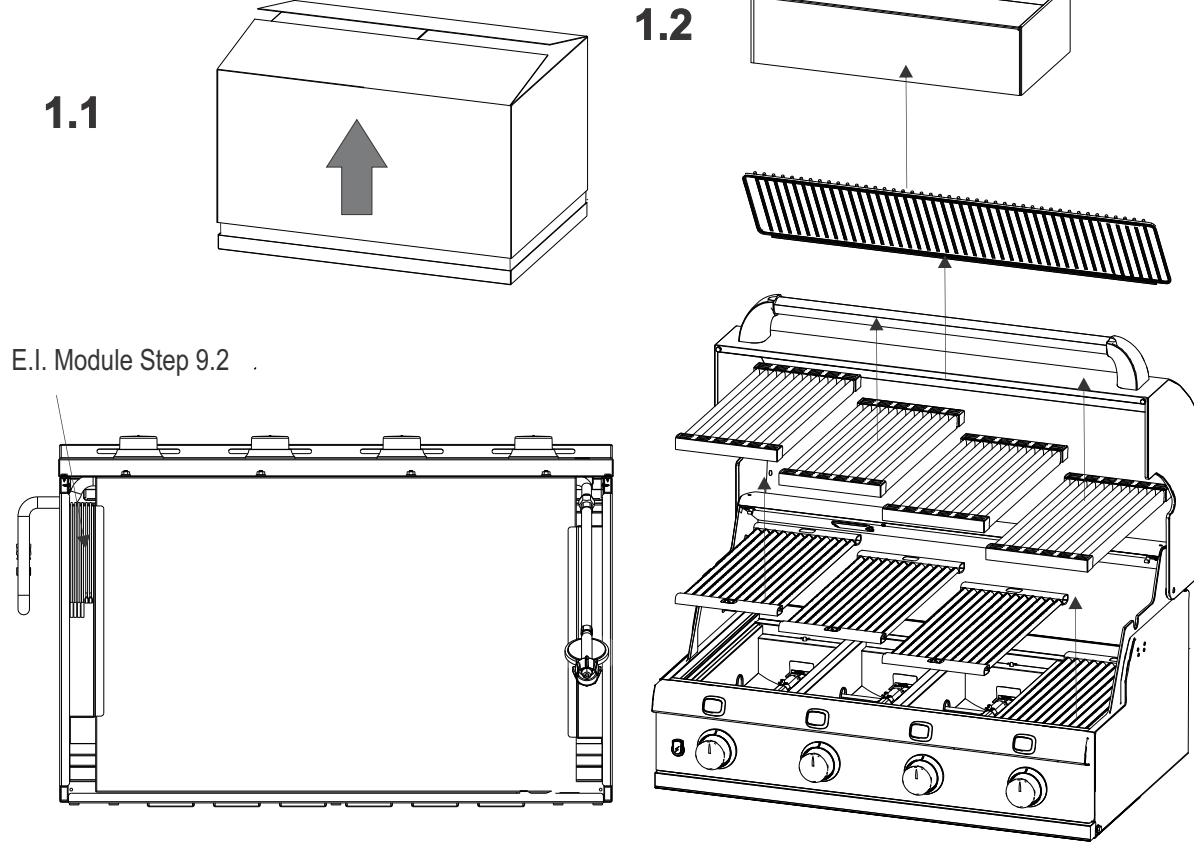
Tools Suggested:



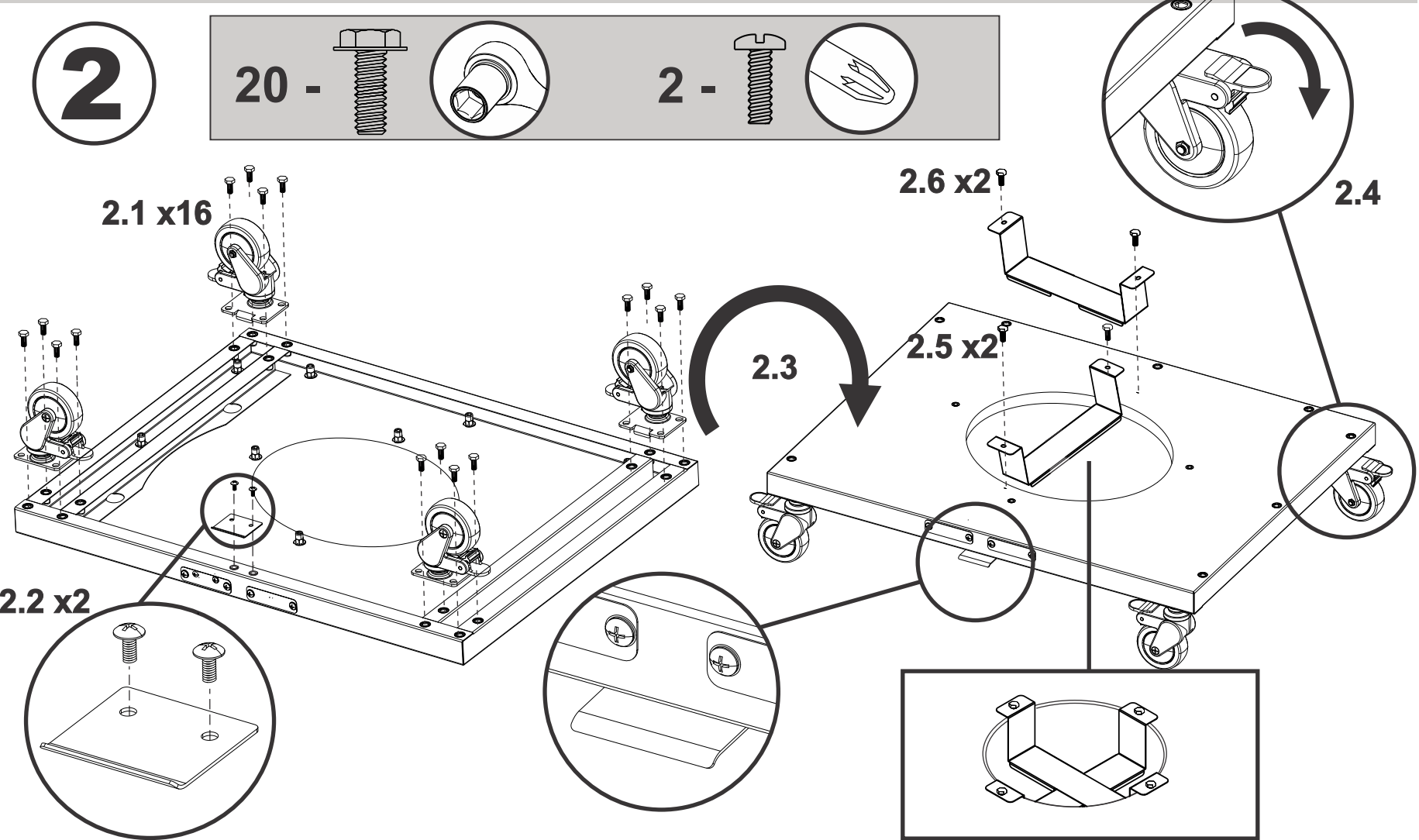
NOTE: Assemble your grill on a clean, level surface.



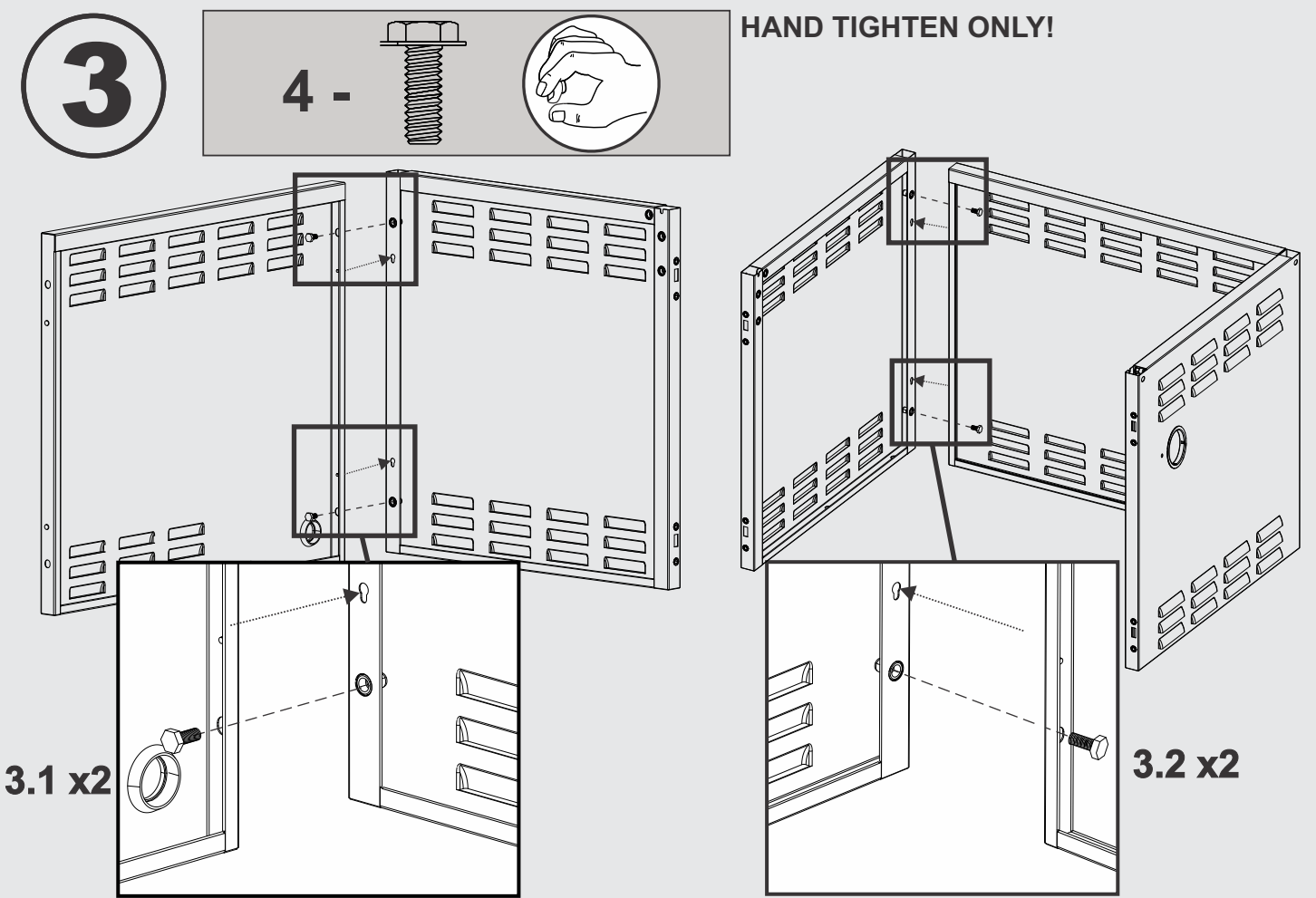
## 1



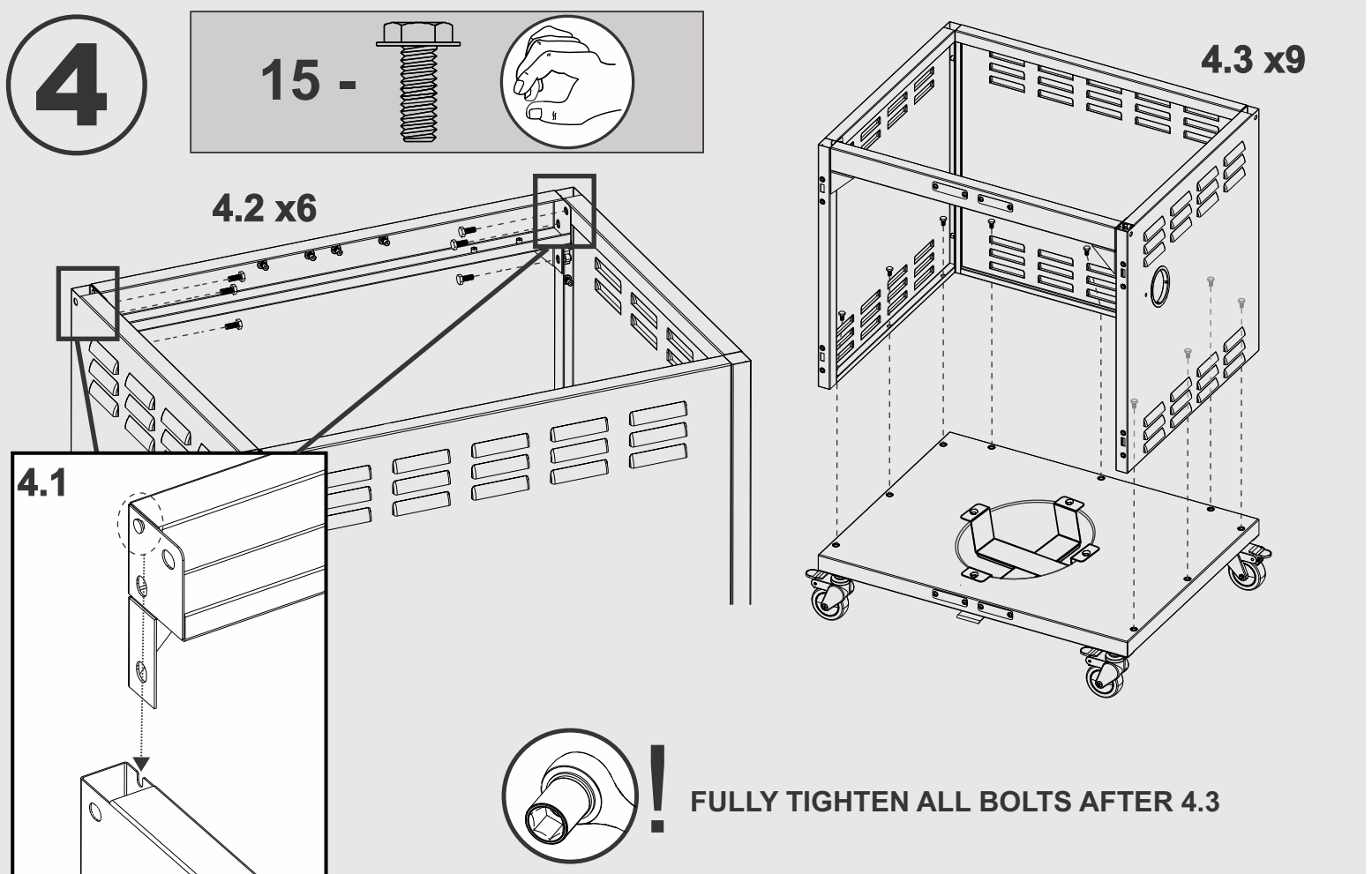
## 2





## 3

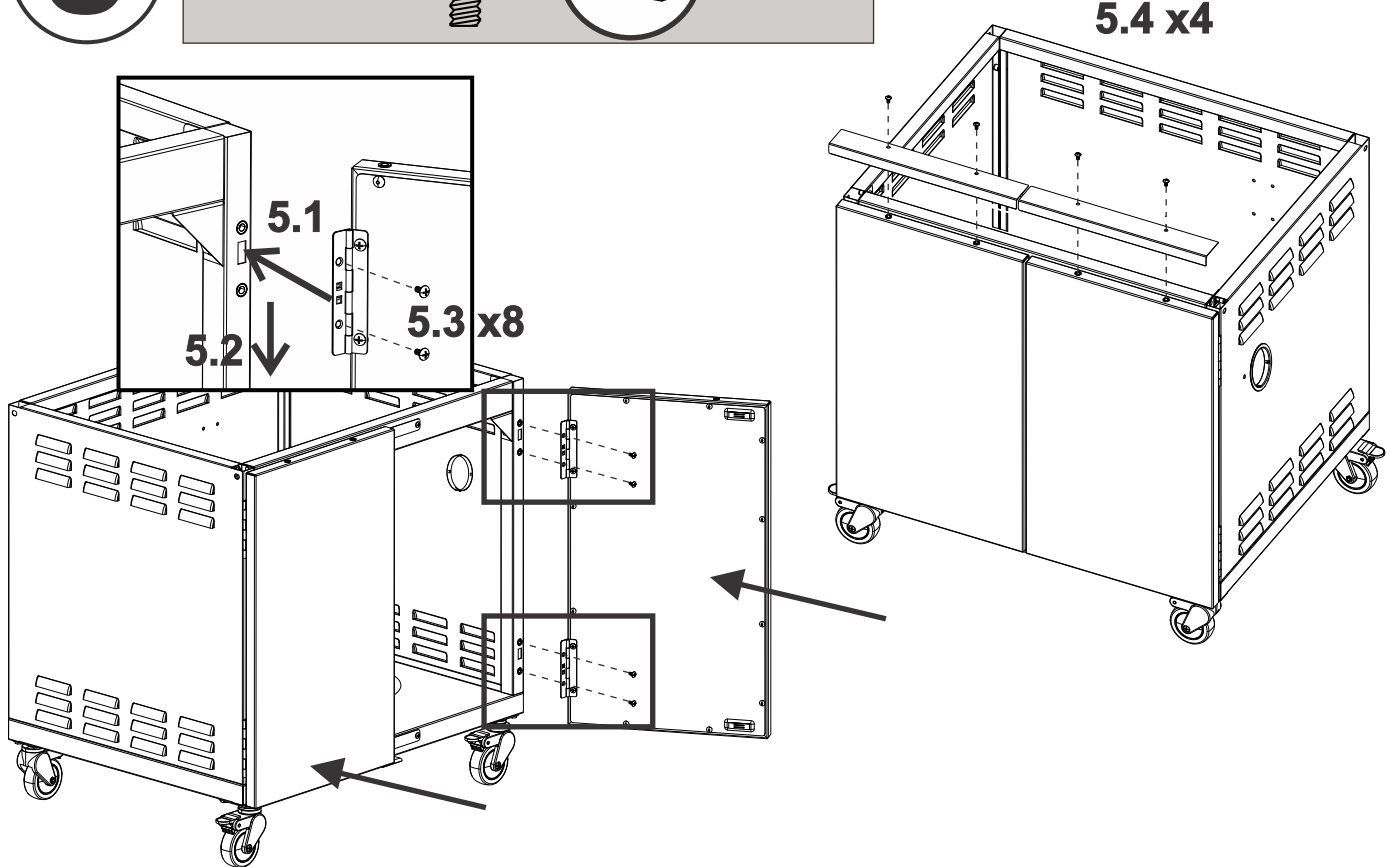






## 4

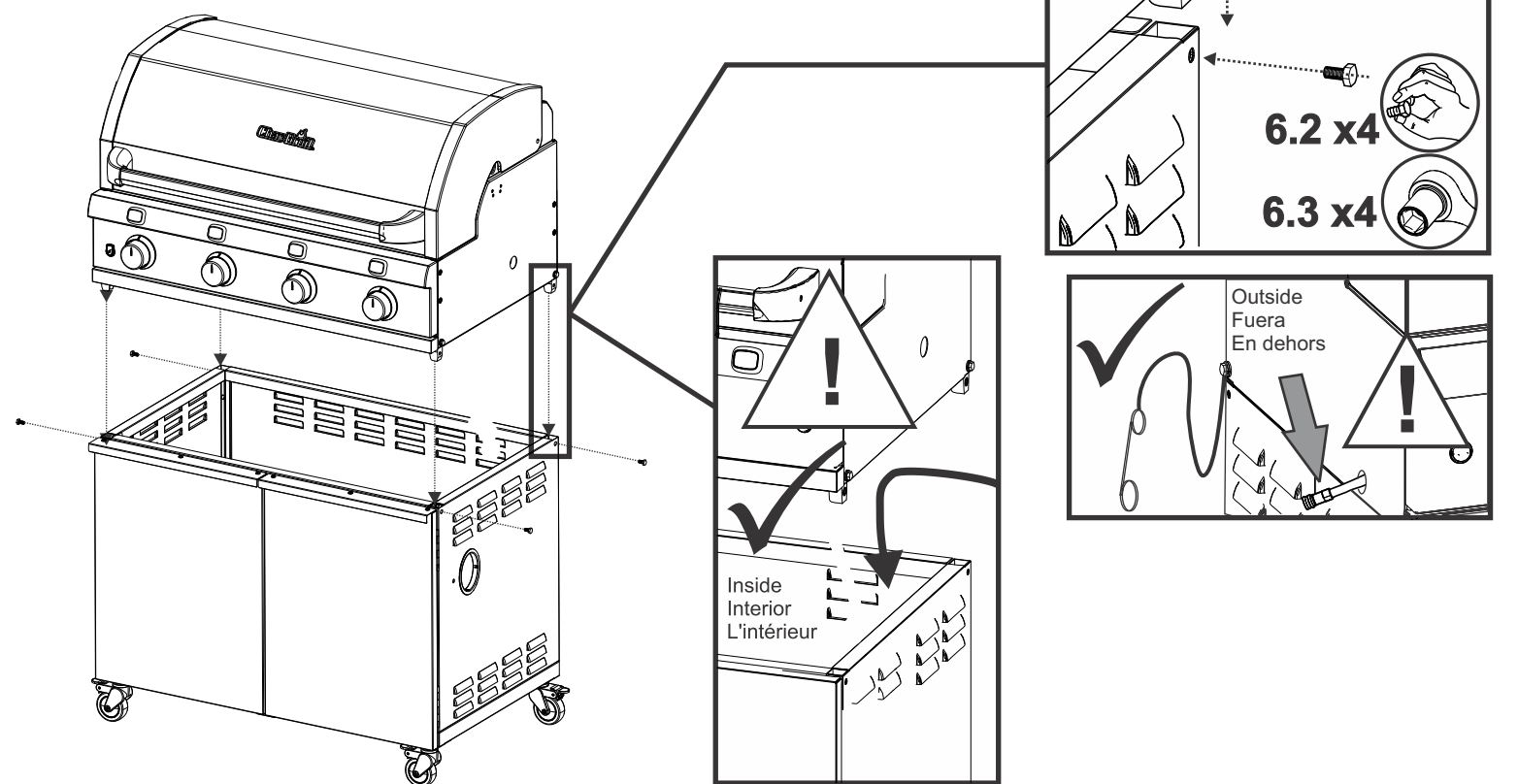




FULLY TIGHTEN ALL BOLTS AFTER 4.3

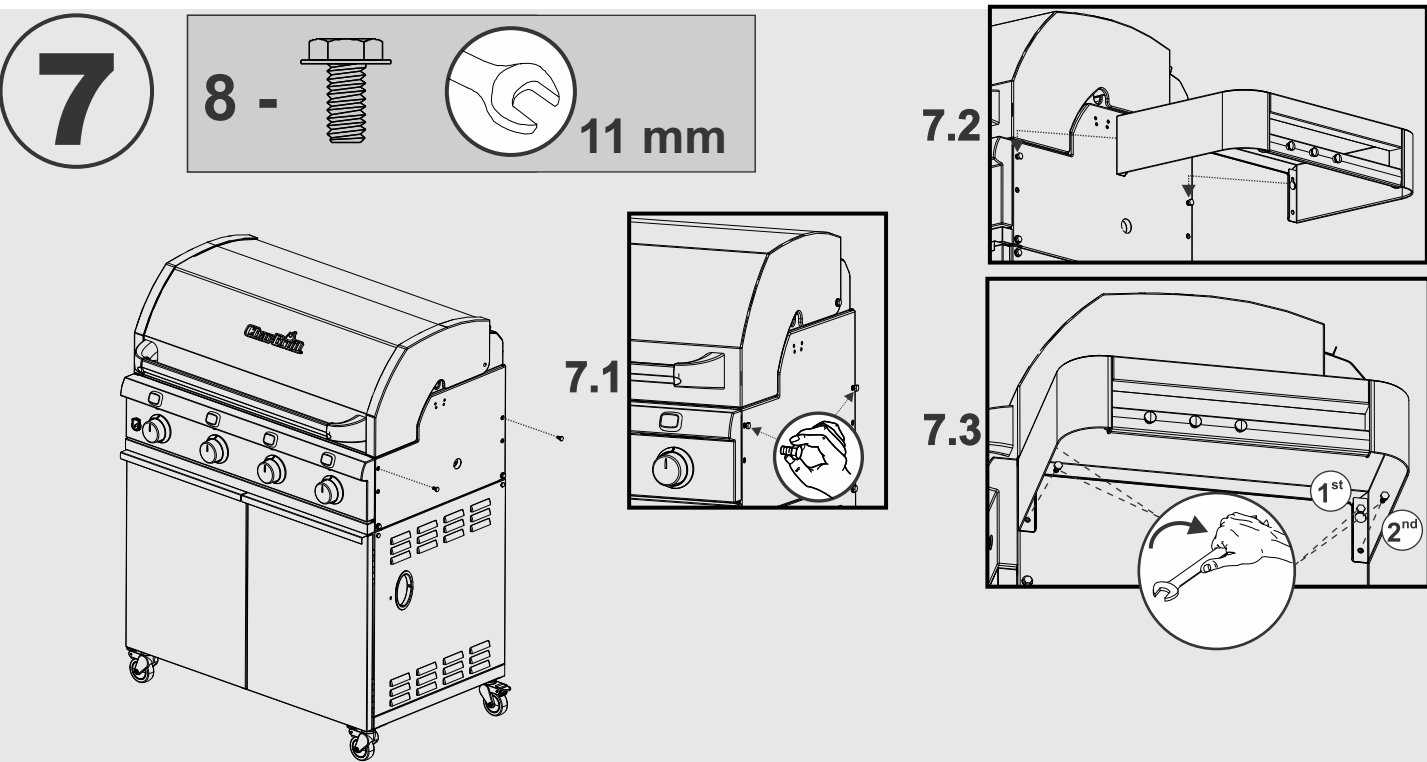
**5** 12 -  



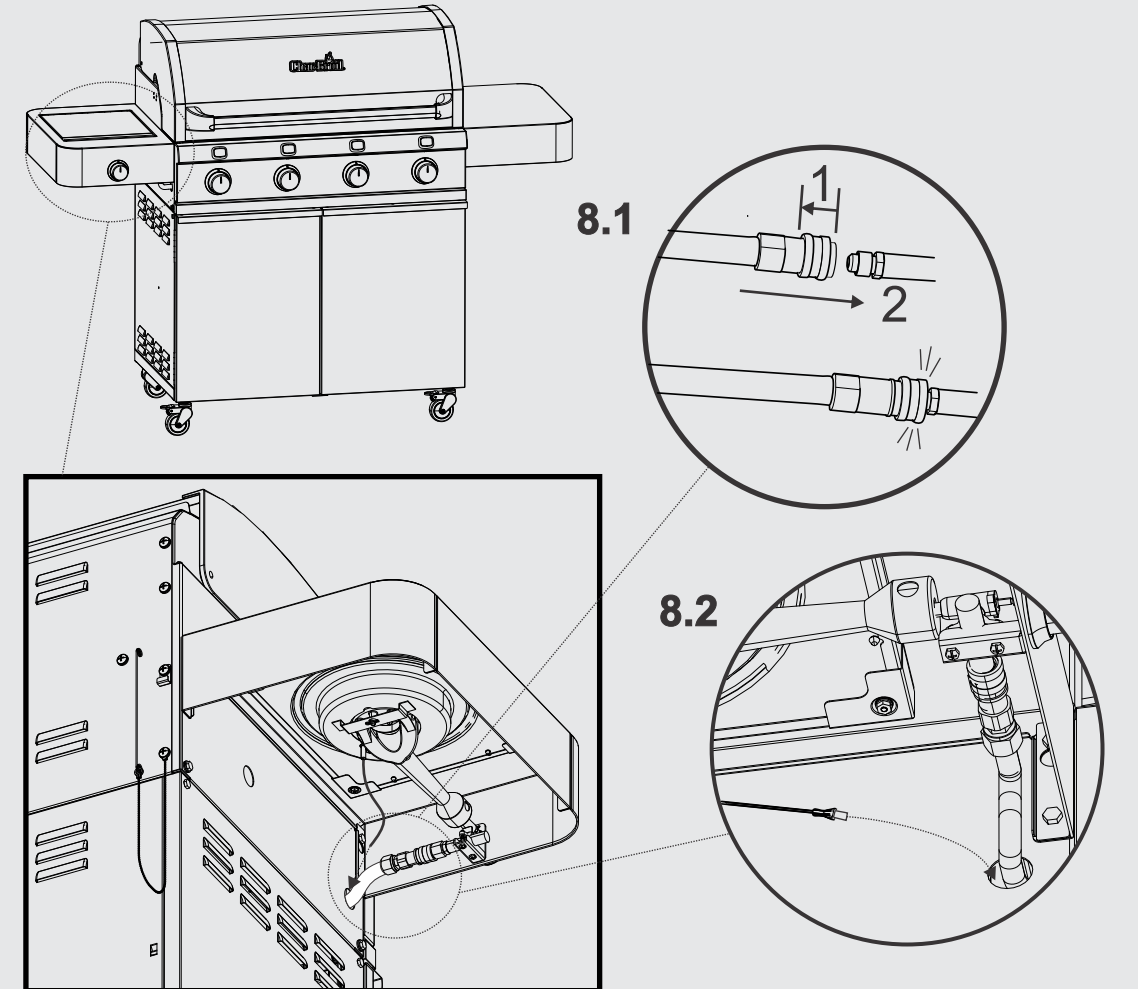
**6**   x2 4 -  

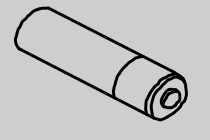
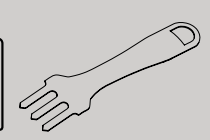




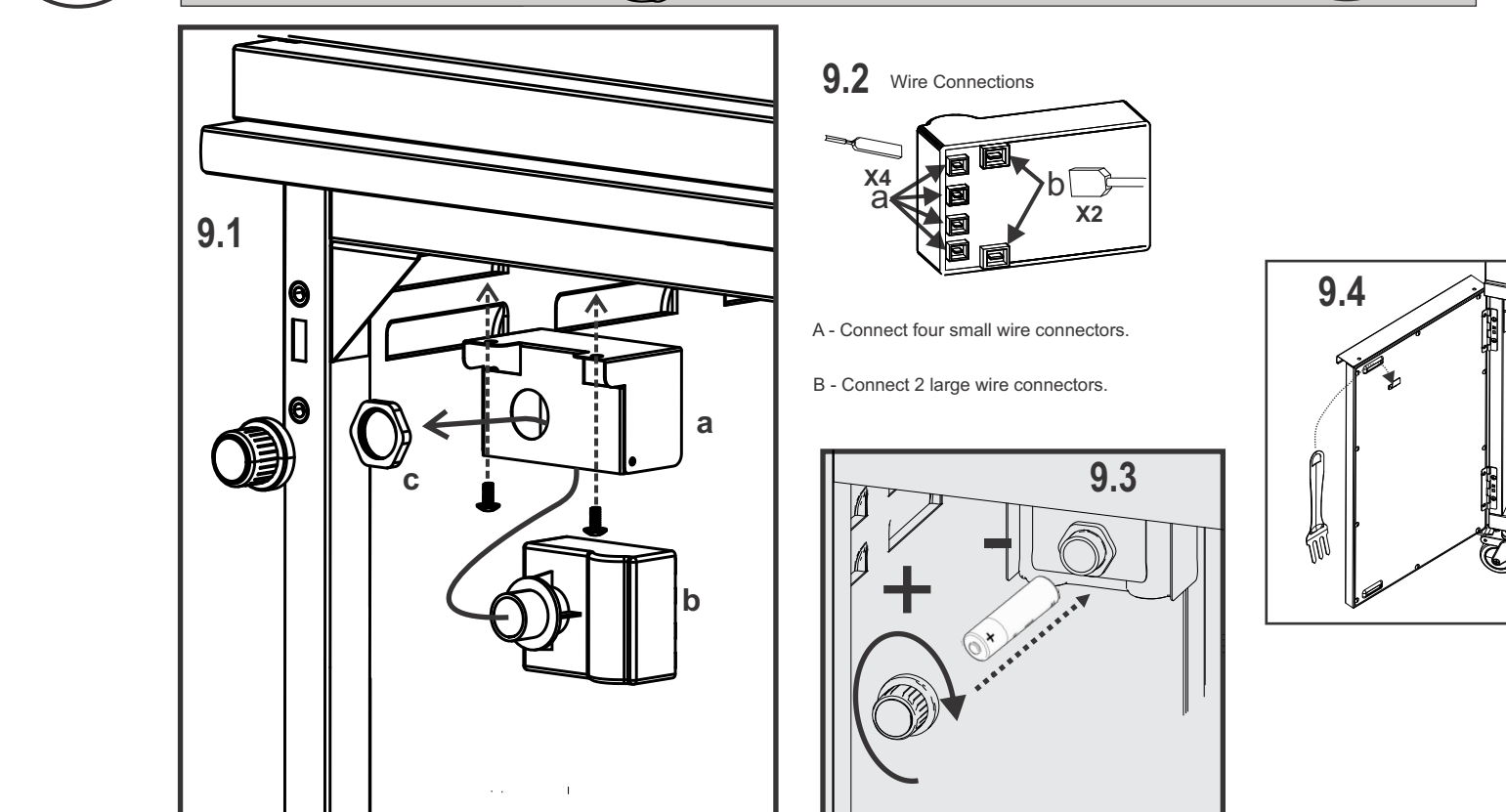
**7** 8 -   11 mm



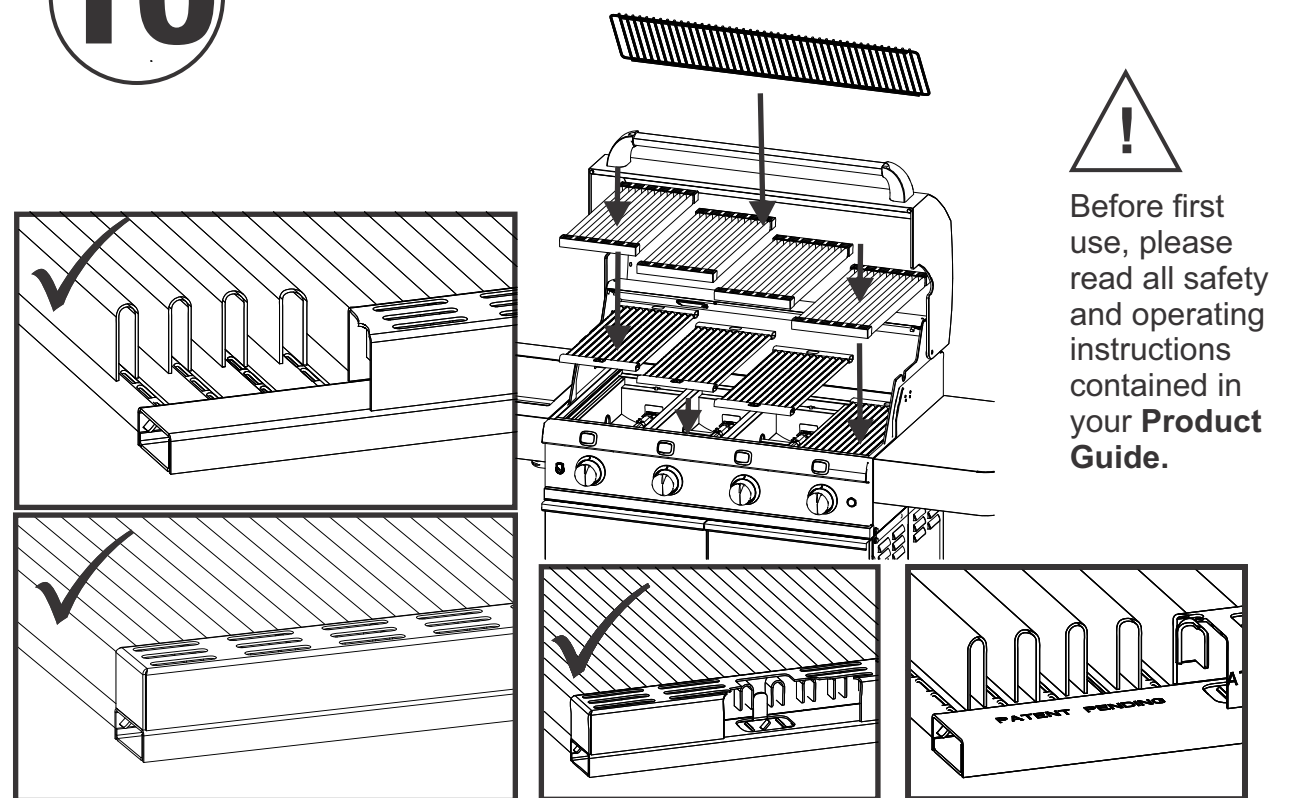
**8**

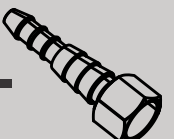

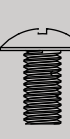





**9** 1 -   2 -  



**10**



**11** 1 -      11 mm  19 mm 