

# SUPPLEMENTARY NZ PRODUCT GUIDE



## HOSE ASSEMBLY AND LEAK TESTING FOR NEW ZEALAND

NEW ZEALAND MODELS

**468962021NZ & 468964021NZ**

**Professional Pro S  
2 & 4 Burner Gas Grill**

**These instructions replace pages 117 - 119 of the present manual.**

Your Char-Broil unit comes pre-installed with a connection barb for gas supply. This will need to be removed and replaced with a gas hose.

### HOSE ASSEMBLY

#### Tools Required

2 x adjustable spanners.

#### STEP 1.

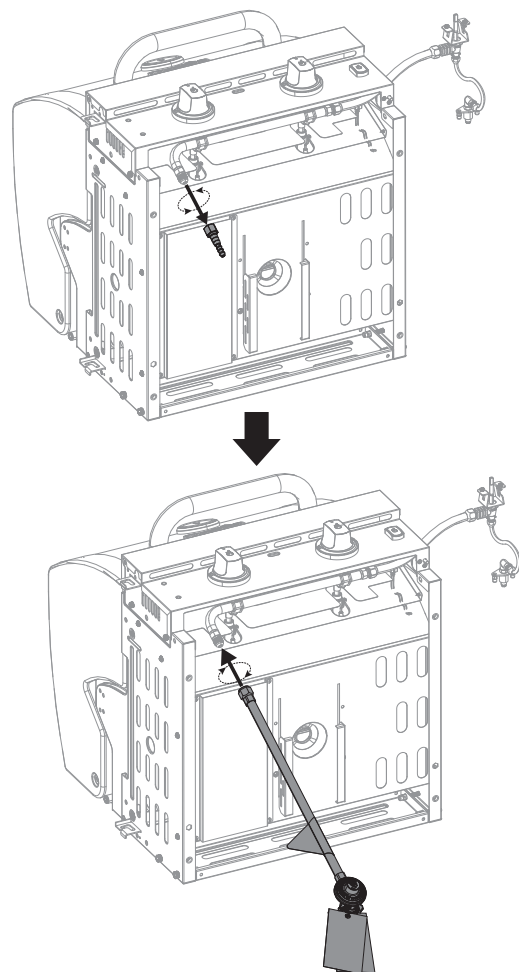
Remove the barb. Use one spanner to hold the gas train while using the second spanner to remove the barb.

#### STEP 2.

Attach the hose and regulator provided.

#### STEP 3.

Complete the Leak Check as per instructions (over leaf).



# SUPPLEMENTARY NZ PRODUCT GUIDE



## HOSE ASSEMBLY AND LEAK TESTING FOR NEW ZEALAND

NEW ZEALAND MODELS

**468962021NZ & 468964021NZ**

**Professional Pro S  
2 & 4 Burner Gas Grill**

### LEAK CHECK

